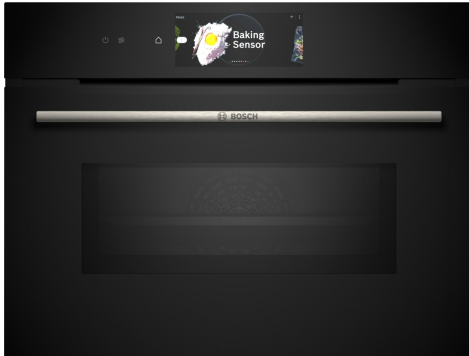


**Series 8, Built-in compact oven with microwave function, 60 x 45 cm, Black
CMG778NB1**



Included accessories

1 x enamel baking tray, 1 x combination grid, 1 x universal pan

Optional accessories

HEZ629070 Air Fry & Grill tray
HEZ660050 Cover Strip
HEZ660060 Strip

The built-in microwave oven with Digital Control Ring and TFT-touchdisplay. Assist function for meals: automatically prepares your dishes, PerfectRoast Plus, PerfectBake Plus, Home Connect for control via the App.

- **Digital Control Ring:** simple and intuitive oven control.
- **TFT Touch Display Pro:** full control with the innovative Digital Control Ring and TFT touchscreen.
- **Automatic Switch-off:** stops cooking as soon as the dish is done.
- **PerfectBake Plus:** adjusts settings and tells you exactly when your dish is done.
- **Pyrolytic self-cleaning:** automatic oven cleaning, with wipe-away ash.

Technical Data

Type of micro-wave oven:MW-Combi
Type of control:Electronic
Dimensions: 455x594x548 mm
Cavity dimensions: 237 x 480 x 392 mm
Length electrical supply cord: 150 cm
Net weight: 36.6 kg
Gross weight: 39.8 kg
EAN code: 4242005326051
Max. microwave power level¹: 900 W
Connection rating: 3600 W
Fuse protection: 16 A
Voltage: 220-240 V
Frequency: 50; 60 Hz
Plug type: GARDY plug w/ earthing
Included accessories: 1 x enamel baking tray, 1 x combination grid, 1 x universal pan



¹ Intelligent inverter technology: maximum output power will be regulated to 600 W when used in longer operation

Series 8, Built-in compact oven with microwave function, 60 x 45 cm, Black CMG778NB1

The built-in microwave oven with Digital Control Ring and TFT-touchdisplay. Assist function for meals: automatically prepares your dishes, PerfectRoast Plus, PerfectBake Plus, Home Connect for control via the App.

Features

- Compact oven with microwave with 22 heating methods: conventional top and bottom heat, full width variable grill, half width grill, bottom heat, intensive heat, low temperature cooking, defrost, plate warming, dehydrate, keep warm, Conventional heat gentle, Microwave, 4D Hot air, Conventional heat, Full width grill, Half width grill, Hot air grilling
- Max. Power: 900 W; 5 Microwave power settings (90 W,180 W,360 W,600 W, boost) with Inverter (MW)
- Intelligent microwave inverter technology: For optimised results maximum output power will be regulated to 600 W when used in longer operation for gentler cooking.
- Temperature range 30 °C - 275 °C
- Cavity volume: 45 litre capacity

Level independent telescopic rails

- 3 shelf positions
- 1 level telescopic shelf, pyrolytic proof

Design

- Touch controls With steel trim
- Digital Control Ring
- Cavity inner surface: enamel anthracite

Cleaning

- Pyrolytic self-cleaning function
- hydrolyse program

Programmes/functions

- Oven Assistant with Voice Control
- BE63
- Electronic clock timer
- Digital temperature display with proposal
- Actual temperature display
- Heating-up indicator
- Temperature probe
- Drop down door, SoftClose, SoftOpen
- BoschAssist
- yes
- yes
- Fast pre-heating function
- LED light, Light on/off when oven door opened/closed
- Integral cooling fan
- Home Connect ready

Accessories

- 1 x enamel baking tray, 1 x combination grid, 1 x universal pan

Features

- Maximum window temperature 30° C
- Quadruple glazed door with heat reflective glass glazed CoolTouch door
- Electronic door lock
- Control panel lock
- Automatic safety switch off
- Residual heat indicator
- Start button
- Door contact switch

Technical information

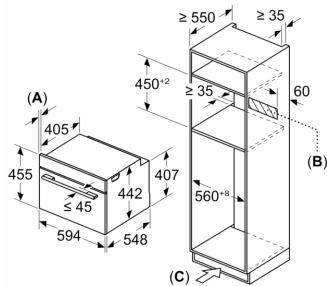
- Power cord length 150 cm Cable length
- Nominal voltage: 220 - 240 V
- Total connected load electric: 3.6 KW

Performance/technical information

- Appliance dimension (hxwx): 455 mm x 594 mm x 548 mm
- Niche dimension (hxwx): 450 mm - 455 mm x 560 mm - 568 mm x 550 mm
- "For-details-on-installation-and-ventilation requirements – please refer to the installation manual prior to fitting."

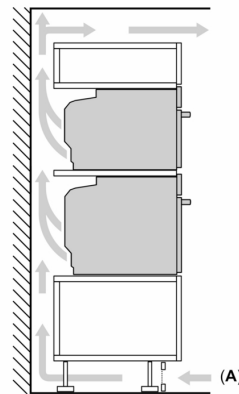
**Series 8, Built-in compact oven with
microwave function, 60 x 45 cm,
Black
CMG778NB1**

Measurements in mm

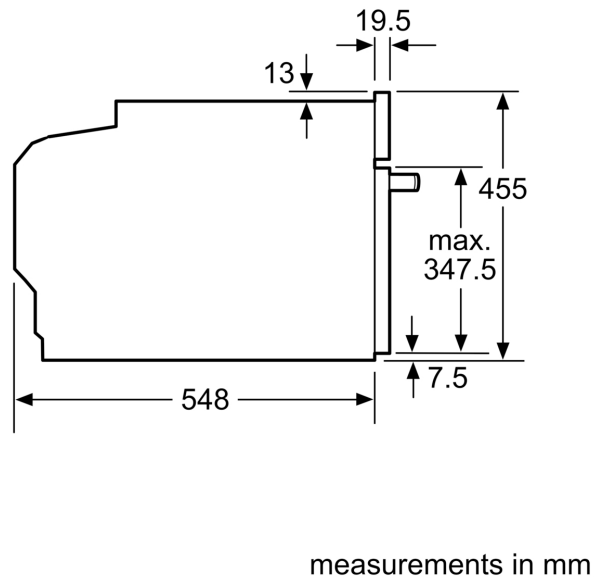
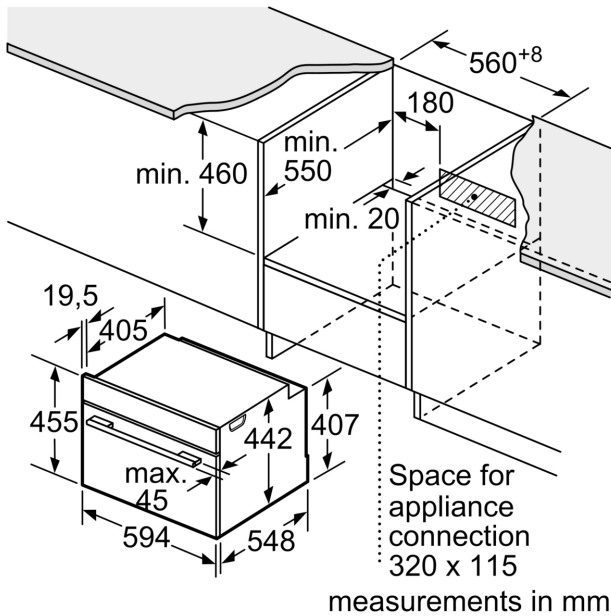


- A: 19.5 mm
- B: Space for appliance connection
320 x 115 mm
- C: Ventilation space in the base \geq
200 cm²

**Installing two appliances on top of each
other
Air exchange**

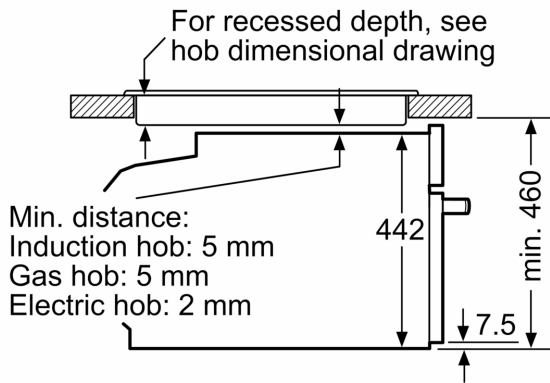


A: Air inlet \geq 200 cm²



Installation with a hob.

If the compact appliance will be installed underneath a hob, the following worktop thicknesses (including substructure if necessary) must be taken into account.



measurements in mm

Hob type	min. worktop thickness	
	fitted	flush
Induction hob	42 mm	43 mm
Full surface Induction hob	52 mm	53 mm
Gas hob	32 mm	43 mm
Electric hob	32 mm	35 mm