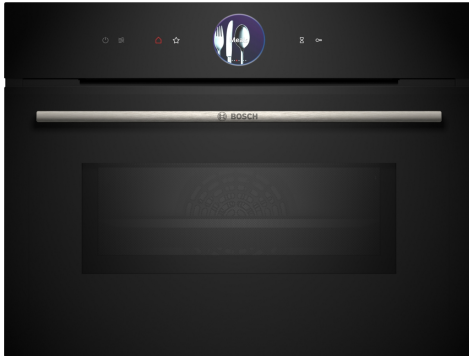


**Series 8, Built-in compact oven with microwave function, 60 x 45 cm, Black  
CMG7361B1B**



**The compact microwave oven with Digital Control Ring and TFT-touchdisplay: enables you to achieve perfect baking and roasting results very quickly. Home Connect for control via the App.**

- **Air Fry:** perfectly fry vegetables and chips.
- **Digital Control Ring:** simple and intuitive oven control.
- **TFT Touch Display Plus:** intuitive control with the Digital Control Ring and enlarged TFT touchscreen
- **4D Hotair:** even heat distribution for perfect results.
- **Hotair Gentle:** saves energy while baking and roasting.

**Technical Data**

Type of micro-wave oven: .....MW-Combi  
 Type of control: .....Electronic  
 Dimensions: ..... 455x594x548 mm  
 Cavity dimensions: ..... 237 x 480 x 392 mm  
 Length electrical supply cord: ..... 150 cm  
 Net weight: ..... 34.6 kg  
 Gross weight: ..... 37.1 kg  
 EAN code: ..... 4242005325993  
 Max. microwave power level<sup>1</sup>: ..... 900 W  
 Connection rating: ..... 3600 W  
 Fuse protection: ..... 16 A  
 Voltage: ..... 220-240 V  
 Frequency: ..... 50; 60 Hz  
 Plug type: ..... no plug (electrical connection by electrician)  
 Included accessories: ..... 2 x combination grid, 1 x universal pan

**Included accessories**

2 x combination grid, 1 x universal pan

**Optional accessories**

HEZ530000 Half tray  
 HEZ629070 Air Fry & Grill tray  
 HEZ660050 Cover Strip  
 HEZ660060 Strip



<sup>1</sup> Intelligent inverter technology: maximum output power will be regulated to 600 W when used in longer operation

## **Series 8, Built-in compact oven with microwave function, 60 x 45 cm, Black CMG7361B1B**

**The compact microwave oven with Digital Control Ring and TFT-touchdisplay: enables you to achieve perfect baking and roasting results very quickly. Home Connect for control via the App.**

### **Features**

- Compact oven with microwave with 20 heating methods: conventional top and bottom heat, full width variable grill, half width grill, bottom heat, low temperature cooking, defrost, plate warming, keep warm, Conventional heat gentle, Microwave, 4D Hot air, Conventional heat, Full width grill, Half width grill, Hot air grilling
- Max. Power: 900 W; 5 Microwave power settings (90 W,180 W,360 W,600 W, boost) with Inverter (MW)
- Intelligent microwave inverter technology: For optimised results maximum output power will be regulated to 600 W when used in longer operation for gentler cooking.
- Temperature range 30 °C - 275 °C
- Cavity volume: 45 litre capacity

### **Level independent telescopic rails**

- 3 shelf positions

### **Design**

- Touch controls With steel trim
- Digital Control Ring
- Cavity inner surface: enamel anthracite

### **Cleaning**

- EcoClean Direct : back panel
- hydrolyse program

### **Programmes/functions**

- Oven Assistant with Voice Control
- BE62
- Electronic clock timer
- Digital temperature display with proposal
- Actual temperature display
- Heating-up indicator
- Drop down door, SoftClose, SoftOpen
- BoschAssist
- Fast pre-heating function
- LED light, Light on/off when oven door opened/closed
- Integral cooling fan
- Home Connect ready

### **Accessories**

- 2 x combination grid, 1 x universal pan

### **Features**

- Maximum window temperature 40° C
- Triple glazed door glazed CoolTouch door
- Control panel lock

- Automatic safety switch off
- Residual heat indicator
- Start button
- Door contact switch

### **Technical information**

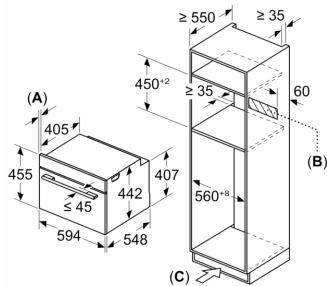
- Power cord length 150 cm Cable length
- Nominal voltage: 220 - 240 V
- Total connected load electric: 3.6 KW

### **Performance/technical information**

- Appliance dimension (hxwxh): 455 mm x 594 mm x 548 mm
- Niche dimension (hxwxh): 450 mm - 455 mm x 560 mm - 568 mm x 550 mm
- "For-details-on-installation-and-ventilation requirements – please refer to the installation manual prior to fitting."

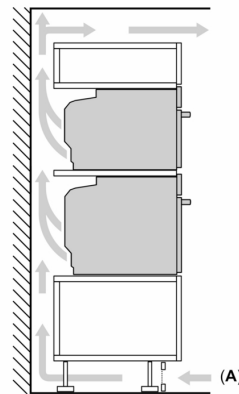
**Series 8, Built-in compact oven with  
microwave function, 60 x 45 cm,  
Black  
CMG7361B1B**

Measurements in mm

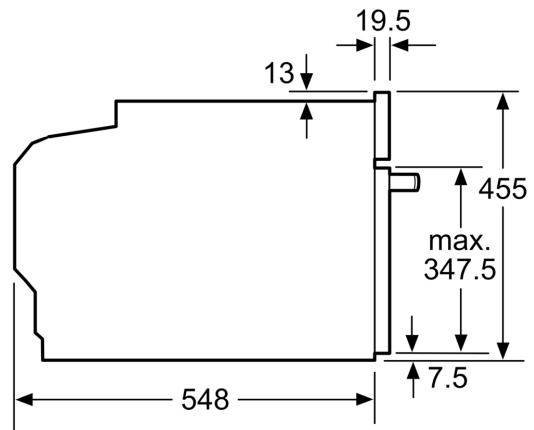
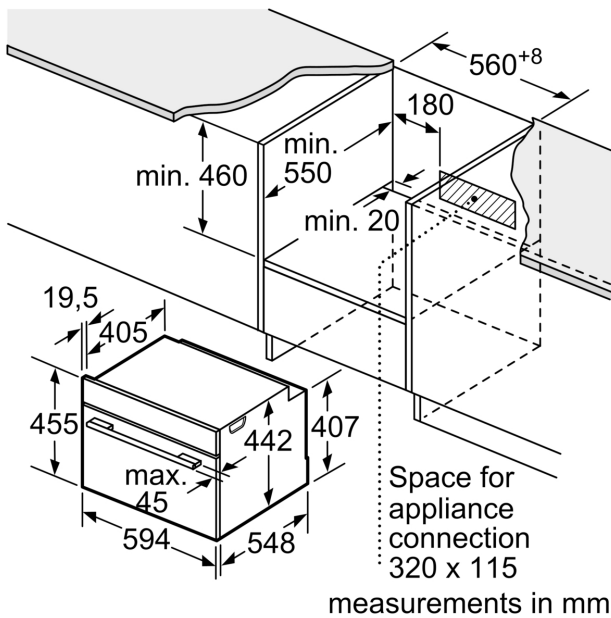


- A: 19.5 mm
- B: Space for appliance connection  
320 x 115 mm
- C: Ventilation space in the base  $\geq$   
200 cm<sup>2</sup>

**Installing two appliances on top of each  
other  
Air exchange**

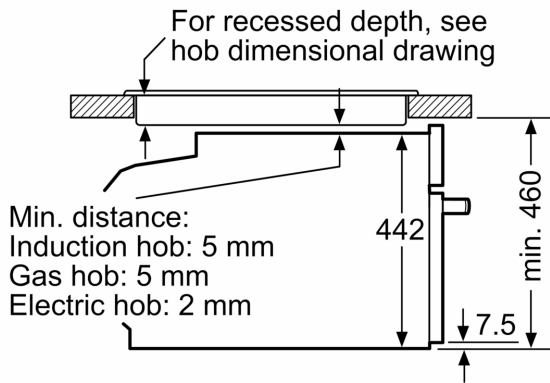


A: Air inlet  $\geq$  200 cm<sup>2</sup>



### Installation with a hob.

If the compact appliance will be installed underneath a hob, the following worktop thicknesses (including substructure if necessary) must be taken into account.



measurements in mm

Hob type	min. worktop thickness	
	fitted	flush
Induction hob	42 mm	43 mm
Full surface Induction hob	52 mm	53 mm
Gas hob	32 mm	43 mm
Electric hob	32 mm	35 mm