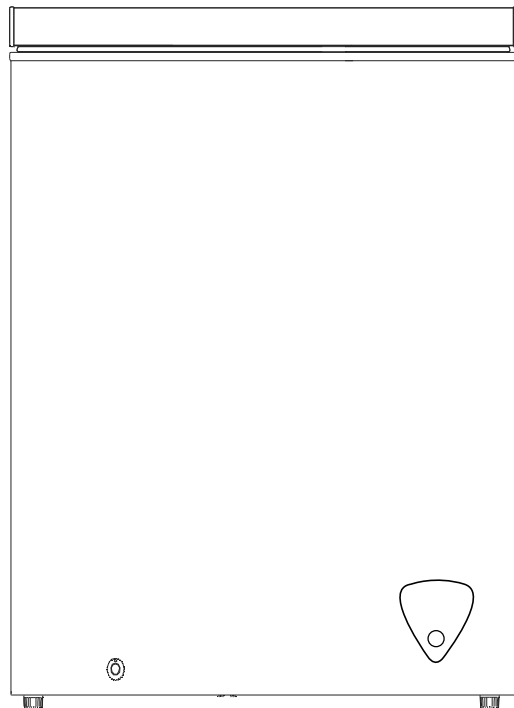


TEKNIX



INSTRUCTION MANUAL

95L CHEST FREEZER

CH95

CONTENTS

SAFETY AND WARNING INFORMATION-----	1-7	PARTS NAME AND FUNCTION -----	12
HOW TO USE -----	8	TEMPERATURE ADJUSTMENT AND DISCRIPTION OF APPLIANCE -----	13
DEFROSTING / FIRST USE AND INSTALLATION -----	9	DISPOSAL OF THE APPLIANCE -----	14
IN CASE THE FOLLOWING OCCURS -----	10-11		

SAFETY AND WARNING INFORMATION



For your safety and correct usage, before installing and first using the appliance, read this user manual carefully, including its hints and warnings. To avoid unnecessary mistakes and accidents, it is important to make sure that all people using the appliance are thoroughly familiar with its operation and safety features. Save these instructions and be sure that they remain with the appliance if it is moved or sold, so that anyone using it throughout its life will be properly informed on usage and safety notices.

For the safety of life and property, keep the precautions of these user's instructions as the manufacturer is not responsible for damages caused by omission.

Safety for children and others who are vulnerable

- According to EN standard
This appliance can be used by children aged from 8 years and above and persons with reduced physical, sensory or mental capabilities or lack of experience and knowledge if they have been given supervision or instruction concerning use of the appliance in a safe way and understand the hazards involved. Children shall not play with the appliance. Cleaning and user maintenance shall not be made by children without supervision.

- According to IEC standard
This appliance is not intended for use by persons (including children) with reduced physical, sensory or mental capabilities, or lack of experience and knowledge, unless they have been given supervision or instruction

concerning use of the appliance by a person responsible for their safety.

- Keep all packaging away from children as there is risk of suffocation
- If you are discarding the appliance, pull the plug out of the socket, cut the connection cable (as close to the appliance as you can) and remove the door to prevent children playing from suffering an electric shock or from closing themselves inside.
- If this appliance, featuring a magnetic door seals, is to replace an older appliance having a spring lock (latch) on the door or lid, be sure to make the spring lock unusable before you discard the old appliance. This will prevent it from becoming a death trap for a child

General safety



This appliance is intended to be used in households and similar applications such as -staff kitchen areas in shops, offices and other working environments;

-farm houses and by clients in hotels, motels and other residential type

environments;

-bed and breakfast type environments;

-catering and similar nonretail applications

- WARNING — Do not store explosive substances such as aerosol cans with a flammable propellant in this appliance.
- WARNING —If the supply cord is damaged, it must be replaced by the manufacturer, its service agent or similarly qualified persons in order to avoid a hazard.
- WARNING — Keep ventilation openings in the appliance enclosure or in any built-in structure clear of obstruction.
- WARNING — Do not use mechanical devices or other means to accelerate the defrosting process, other than those recommended by the manufacturer.
- WARNING — Do not damage the refrigerant circuit.
- WARNING — Do not use

electrical appliances inside the food storage compartments of the appliance, unless they are of the type recommended by the manufacturer.

- **WARNING** — The refrigerant and insulation are flammable. When disposing of the appliance, do so only at an authorized waste disposal center. Do not expose to flame.
- **WARNING** — When positioning the appliance, ensure the supply cord is not trapped or damaged.
- **WARNING** — Do not locate multiple portable socket-outlets or portable power supplies at the rear of the appliance.
- **WARNING** — Damaged supply cord must be replaced by a special cord or assembly available from the manufacturer or its service agent.

Refrigerant

The refrigerant isobutene (R600a) is contained within the refrigerant circuit of the appliance, a natural gas with a high level of environmental compatibility, which is nevertheless flammable. During transportation and installation of the appliance, ensure that none of the components of the refrigerant circuit becomes damaged.

The refrigerant (R600a) is flammable.

- **WARNING** — Refrigerators contain refrigerant and gases in the insulation. Refrigerant and gases must be disposed of professionally as they may cause eye injuries or ignition. Ensure that tubing of the refrigerant circuit is not damaged prior to proper disposal.



Warning: risk of fire flammable materials

If the refrigerant circuit is damaged:

- Avoid naked flames and sources of ignition.
- Thoroughly ventilate the room in which the appliance is situated.

It is dangerous to alter the specifications or modify this product in any way.

Any damage to the cord may cause a short circuit, fire, and/or electric shock.

Electrical safety

1. The power cord must not be lengthened.
2. Make sure that the power plug is not crushed or damaged. A crushed or damaged power plug may overheat and cause a fire.
3. Make sure that you can access the main plug of the appliance.
4. Do not pull the main cable.
5. If the power plug socket is loose, do not insert the power plug. There is a risk of electric shock or fire.
6. You must not operate the appliance without the interior lighting lamp cover.
7. The fridge is only supplied with power supply of single phase alternating current of 220 ~ 240 V/50Hz. If fluctuation of voltage in the district of user is so large that the voltage exceeds the above scope, for safety sake, be sure to apply A.C.

Automatic voltage regulator of more than 350W to the fridge. The fridge must employ a special power socket instead of common one with other electric



appliances. Its plug must match the socket with ground wire.

Daily use

- Do not store flammable gas or liquids in the appliance. There is a risk of an explosion.
- Do not operate any electrical appliances in the appliance (e.g. electric ice cream makers, mixers etc.).
- When unplugging always pull the plug from the mains socket, do not pull on the cable.
- Do not place hot items near the plastic components of the fridge.
- Do not place food products directly against the air outlet on the rear wall.
- Store pre-packed frozen food in accordance with the frozen food manufacturer's instructions.
- The manufacturer's storage recommendations should be

strictly adhered to. Refer to relevant instructions for storage.

- Do not place carbonated or fizzy drinks in the freeze compartment as it creates pressure on the container, which may cause it to explode, resulting in damage to the appliance .
- Frozen food can cause frost burns if consumed straight from the freezer compartment.
- Opening the door for long periods can cause a significant increase of the temperature in the compartments of the appliance.
- Clean regularly surfaces that can come in contact with food and accessible drainage systems.
- Store raw meat and fish in suitable containers in the refrigerator, so that it is not in contact with or drip onto other food.
- If the **refrigerating appliance** is left empty for long periods, switch off, defrost, clean, dry, and leave the door open to prevent mould developing within the appliance.
- Do not place the appliance in direct sunlight.

- Keep burning candles, lamps and other items with naked flames away from the appliance so that do not set the appliance on fire.
- The appliance is intended for keeping food and/or beverages in normal households as explained in this instruction booklet. The appliance is heavy. Care should be taken when moving it.
- Do not remove or touch items from the freezer compartment if your hands are damp/wet, as this could cause skin abrasions or frost/freezer burns.
- Never use the base, drawers, doors etc. to stand on or as supports.
- Frozen food must not be refrozen once it has been thawed out.
- Do not consume ice popsicles or ice cubes straight from the freezer as this can cause freezer burn to the mouth and lips.
- To avoid items falling and causing injury or damage to the appliance, do not overload the door racks or put too much food in the crisper drawers.

Caution!

Care and cleaning

- Before maintenance, switch off the appliance and disconnect the mains plug from the mains socket.
- Do not clean the appliance with metal objects, steam cleaner, ethereal oils, organic solvents or abrasive cleansers.
- Do not use sharp objects to remove frost from the appliance. Use a plastic scraper.

Installation important!

- For electrical connection carefully, follow the instructions given in this manual.
- Unpack the appliance and check if there are damages on it. Do not connect the appliance if it is damaged. Report possible damages immediately to the place you bought it. In this case retain packing.
- It is advisable to wait at least four hours before connecting the appliance to allow the oil to flow back in the compressor.

- Adequate air circulation should be allowed around the appliance reducing the risk of overheating. To achieve sufficient ventilation, follow the instructions relevant to installation.
- Wherever possible the back of the product should not be close to a wall to avoid touching or catching warm parts (compressor, condenser) to prevent the risk of a fire, follow the instructions relevant to installation
- The appliance must not be locate close to radiators or cookers.
- Make sure that the mains plug is accessible after the installation of the appliance.

Service

- Any electrical work required to do the servicing of the appliance should be carried out by qualified electrician or competent person. This product must be serviced by an authorized Serviced Center, and only genuine spare parts must be used.

Note: Children aged from 3 to 8 years are allowed to load and unload refrigerating appliances. (This clause applies only to the EU region.)
When refrigerating food, please be careful not to contact the surface of the inner box directly.

When frozen food, in order to prevent moisture loss, prevent the odor, should separate the different food sealed storage, and can only use non-toxic, tasteless, impermeable, waterproof sealing material.

Hot food should be cooled to room temperature first, then put into the freezer, otherwise it will affect the storage status of other foods and increase the power consumption. Two-star frozen-food compartments are suitable for storing pre-frozen food, storing or making icecream and making ice cubes.

One-, two- and three-star compartments are not suitable for the freezing of fresh food.

Order	Compartments TYPE	Target storage temp.[°C]	Appropriate food
1	Fridge	+2~+6	Eggs, cooked food, packaged food, fruits and vegetables, dairy products, cakes, drinks and other foods are not suitable for freezing.
2	(***)*-Freezer	≤-18	Seafood (fish, shrimp, shellfish), freshwater aquatic products and meat products (recommended for 3 months, the longer the storage time, the worse the taste and nutrition), suitable for frozen fresh food.
3	***-Freezer	≤-18	Seafood (fish, shrimp, shellfish), freshwater aquatic products and meat products (recommended for 3 months, the longer the storage time, the worse the taste and nutrition), are not suitable for frozen fresh food.
4	** -Freezer	≤-12	Seafood (fish, shrimp, shellfish), freshwater aquatic products and meat products (recommended for 2 months, the longer the storage time, the worse the taste and nutrition), are not suitable for frozen fresh food.
5	*-Freezer	≤-6	Seafood (fish, shrimp, shellfish), freshwater aquatic products and meat products (recommended for 1 months, the longer the storage time, the worse the taste and nutrition), are not suitable for frozen fresh food.



HOW TO USE

This appliance is intended to be used in household and similar applications such as

- staff kitchen areas in shops, offices and other working environments;
- farm houses and by clients in hotels, motels and other residential type environments;
- bed and breakfast type environments;
- catering and similar non-retail applications

BEFORE USE

- Remove shipping package, tape, etc. and leave doors open for a while in order to ventilate the appliance.
- The unit is cleaned before shipment. However, it is recommended to clean the compartment interior once after delivery.
- Please insert power supply plug into the wall outlet, type "grounded single-phase 220-240 V".
- Allow the unit to operate for about 1 hour to cool the compartment before placing items into the appliance.

WAIT 5 MINUTES OR MORE BEFORE RE-STARTING

- Restarting the unit immediately after it has been turned off may cause fuses to blow and activate the circuit-breaker, the compressor may become overloaded, and/or other damage may occur.

EFFICIENT USE

Please follow the following instructions, in order to save energy consumption.

- To prevent cold air escaping from the chest freezer, open and close the door quickly and keep the door opened for as short time period as possible.
- Please install the unit in a well-ventilated location.
- Do not use the unit to store water or food that requires water as a storage medium. Never place fresh seafood containing water directly into the unit.

This refrigerating appliance is not intended to be used as a built-in appliance.

CHECKS

To ensure the safety, perform the following checks after cleaning the unit:

- Is the power cord plug firmly inserted into a dedicated wall outlet? Confirm that the plug is not abnormally hot.
- Check the power cord for cracks and damage. Should the slightest irregularity be observed, contact the dealer from whom you purchased this unit or our customer service department.

CLEANING AND DEFROSTING

To prevent any electrical shock hazards or injury by the rotating circulation fan, disconnect the power cord plug from the wall outlet before cleaning.

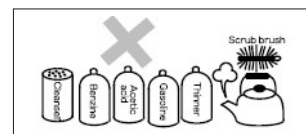
EXTERIOR

Wipe with a soft, dry cloth. If very soiled, wipe with a cloth that has been moistened with detergent. Then wipe with a cloth that has been dipped in clean water.

WARNING:

Do not splash water directly onto the chest freezer and do not wash with water. A short-circuit and/or electrical shock could be caused.

- Clean the cooler regularly to keep it clean at all times.
- Never use polishing powder, soap powder, benzene, oil or hot water as these will damage the painting and plastic components.
- Keep ventilation openings, in the appliance enclosure or in the built-in structure, clear of obstruction.
- Open the door and wipe clean with a dry cloth.



DEFROSTING/FIRST USE AND INSTALLATION

You should defrost the freezer compartment two or three times a year when the ice is about 4 mm thick. To defrost, follow these steps:

- Set the thermostat to “Colder” at least 12 hours before defrosting.
- After this period has elapsed, switch off the freezer compartment by removing the plug from the main power supply.
- Remove all food from the freezer and wrap them in paper and store them in a cold place and leave the door open.
- When the defrosting is finished, the compartment must be cleaned and wiped dry.
- Switch the appliance back on using the thermostat set to “Colder” and, wait at least one hour before replacing the foodstuffs.
- After a few hours the thermostat can be set back to the original position.

WARNING:

Do not use mechanical devices or other artificial means to accelerate the defrosting process, other than those recommended by the manufacturer.

WARNING:

Do not use electrical appliance inside the food storage compartment of the appliances, unless they are of the type recommended by the manufacturer.

Cleaning before use

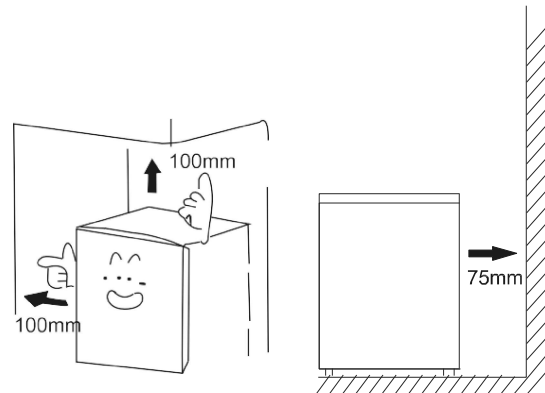
Before using the appliance for the first time, wash the interior and all internal accessories with lukewarm water and some neutral soap so as to remove the typical smell of a brand new product, then dry thoroughly.

Important! It is necessary to have good ventilation around the freezer to allow for the dissipation of heat, high efficiency, and low power consumption. For this reason, sufficiently cleared space should be available around the freezer. It is advisable for there to be 75mm separating the back of the freezer to the wall and at least 100mm of space on its two sides, a height of over 100mm from its top.

Introducing Winter Guard



This product features Winter Guard technology. It allows the product to operate in environments such as garages, sheds or outbuildings where temperatures can drop as low as -15 °C



Note:

This appliance performs well within the climate class from SN to T showed in the table below. It may not work properly if being left at a temperature above or below the indicated range for a long period.

Climate class	Ambient temperature
SN	+10°C to +32°C
N	+16°C to +32°C
ST	+16°C to +38°C
T	+16°C to +43°C

Appliances must not be exposed to rain. Sufficient air must be allowed to circulate in the lower rear section of the appliance, as poor air circulation can affect performance.

Built-in appliances should be positioned away from heat sources such as heaters and direct sunlight.

Levelling

The appliance should be level in order to eliminate vibration.

To make the appliance level, it should be upright and both adjusters should be in stable contact with the floor.

You can also adjust the level by unscrewing the appropriate level adjustment in the front (use your fingers or a suitable spanner).

IN CASE THE FOLLOWING OCCURS



Warning! Before trouble-shooting, disconnect the power supply. Only a qualified electrician or other person must carry out the trouble-shooting that is not in the manual.

Important!


Repairs to the appliance may only be performed by competent service engineers. Improper repairs can give rise to significant hazards for the user. If your appliance needs repairing, please contact your specialist dealer or your local Customer Service Center.

Problem	Solution
POWER FAILURE	Keep the opening and closing of the door for a minimum time to prevent cold air from escaping.
	Avoid placing new items in the cooler as this will raise the temperature inside the compartment.
	In case of a long power suspension, place dry ice in the freezer
POWER CORD PROBLEMS	If the supply cord is damaged, it must be replaced by a special cord or assembly available from the manufacturer or the service agent.
	The showcase must be positioned so that the plug is accessible to the wall outlet.
WHEN NOT USED FOR A LONG PERIOD	Remove all items from the compartment and disconnect the power cord plug from the wall outlet.
	Clean the compartment interior and wipe away all water.
	To prevent mold formation and foul odors, leave the door open to dry the compartment completely.
TRANSPORTATION	Disconnect the power cord plug from the wall outlet.
	When moving the appliance, make sure that the feet do not damage the power cord.
	Do not let the feet hit against floor steps, thresholds, etc.
TEMPORARY STORAGE	Put piece of wood or other similar item between, the door and main unit to prevent complete closing of the door.
	Be sure not to store the unused chest freezer in a location where children play.
	Should a child enter the compartment and the door is closed, the child may not be able to open the door from the inside.

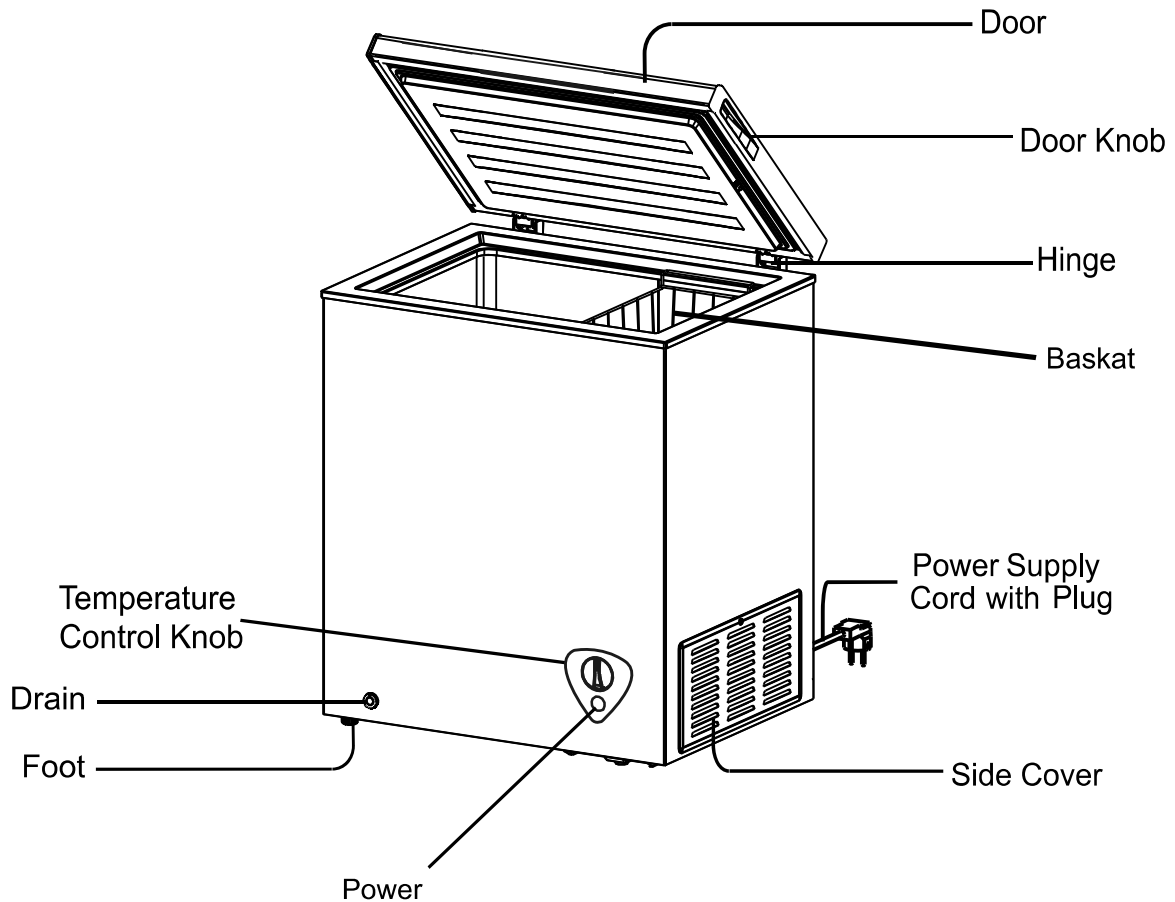
Please check the following if you encounter problems with the unit. If the problem continues after taking the proper remedial actions, disconnect the power cord plug from the wall outlet.

Transfer the items stored in the cooler to a box or other container. Then contact the dealer from whom you purchased this unit, and be ready to provide information as listed in the "**REQUIRED INFORMATION**" below.

To prevent any electrical shock hazards, do not disconnect the power cord plug from the wall outlet with wet hands.

No refrigeration at all	Is the power supply interrupted?
	Is the power cord plug disconnected from the wall outlet?
	Are the shop's power fuses blown and/or the circuit breaker activated?
	Is the temperature control turned to OFF?
Inadequate refrigeration	Is the place of installation ventilated?
	Is the freezer exposed to direct sunlight, placed near a heater or stove?
	Are the lids opened and closed frequently?
	Is the temperature control dial in the direction of MAX. If it is too cold, turn dial in direction of MIN.
	Is a lot of frost forming in the freezer compartment?
Excessive noise	Is the floor underneath the freezer sturdy enough?
	Is the unit shaking and/or rattling?
	Is the rear panel of the unit in contact with a wall, etc.?
	Is there a container or something behind the freezer? The compressor will generate a rather loud sound for a while after operation is started. The noise will cease together with refrigeration.
Condensation on cooler exterior	Condensation may condense on the exterior of the unit and the door during hot and humid days or depending on the place of installation. This occurs when the humidity is high and water particles in the cold surfaces. This is normal. Wipe away condensation with a dry cloth.
The circumference of chest freezer feels hot	Especially in summer or in the period of starting running, the circumference of the chest freezer feels hot because the Chest freezer inside has a pipe for radiating and preventing condensation. The heat does not affect inside goods. 

PARTS NAME AND FUNCTION



Note!

- To get the best energy efficiency of this product, please place all shelves, drawers on their original position as the illustration above.

Never touch the interior of the freezer chamber or frozen foods in the compartment with wet hands as this could result in frostbite.

The above image is for reference only; configuration is subject to the actual product.

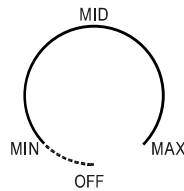
TEMPERATURE ADJUSTMENT AND DISCRPTION OF APPLIANCE

TEMPERATURE ADJUSTMENT

- To adjust the temperature inside the freezer compartment, adjust the temperature control dial on front-bottom side of the chest freezer. Normally use chest freezer with temperature MID.

If the cooling performance is inadequate, turn the temperature control dial in the direction of MAX
If it is too cold, turn the dial in the direction of MIN.

- When you need the unit to stop running temporarily, please turn the temperature control dial in the direction of OFF.



NOTE: High temperature setting will accelerate food waste.

DISCRPTION OF APPLIANCE

Installation Any electrical work that is required to install this appliance **MUST** be carried out by a qualified electrician

Warning: THIS APPLIANCE MUST BE GROUNDED

Before making any electrical connections, ensure the following:
Electrical connection

Electrical safety is only guaranteed when the grounding system of your house is in accordance with the related local regulations.

Do not damage the refrigerant circuit.

Do not bend, stretch or pull the supply cable to avoid electric shock.

Do not use electrical appliances inside the food storage compartments of the appliance, unless they are of the type recommended by the manufacturer.

Ensure the power socket is suitable for the maximum power of the machine (fuses in the power circuit must be 13 amp).

The supply voltage should be the same as that indicated in the technical specifications and the appliance rating plate.

The appliance should be grounded and in compliance with the applicable laws.

When installed, the power socket must be within easy reach.

If the socket outlets in your home are not suitable for the plug supplied with this unit check with a qualified electrician for replacement.

The use of adapters, multiple connectors or extension cables is not recommended.

The appliance must be connected to a 220-240 volt 50Hz AC supply by means of a three-pin socket, suitably grounded and protected by a 13 amp fuse.

Should the fuse need to be replaced, a 13 amp fuse approved to BS1363/A standards must be used.

The plug contains a removable fuse cover that must be refitted when the fuse is replaced. If the fuse cover is lost or damaged, the plug must not be used until a replacement cover has been fitted or the plug is replaced.

A damaged plug should be cut off as close to the plug body as possible, the fuse should be removed and the plug disposed of safely.

Plug replacement (UK & Ireland only)

Should you need to replace the plug, the wires in the power cable are coloured in the following way:

Blue – Neutral 'N'

Brown – Live 'L'

Green & Yellow – Earth 'E'

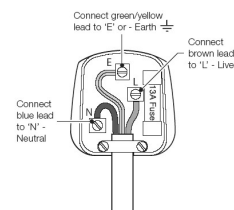
As the colours of the wires in the power cable may not correspond with the coloured markings identifying the terminals in your plug, and proceed as follows:

The green & yellow wire must be connected to the terminal in the plug that is marked with the letter E or by the earth symbol.

The blue wire must be connected to the terminal that is marked with the letter 'N'.

The brown wire must be connected to the terminal that is marked with the letter 'L'.

If power supply cord is damaged, it must be replaced by the manufacturer or its service agent or a similar qualified person in order to avoid a hazard.



The specifications may change, please refer to the circuit name plate on the back of your chest.


DISPOSAL OF THE APPLIANCE

Disposal of the appliance

It is prohibited to dispose of this appliance in domestic household waste. Packaging materials

Packaging materials with the recycle symbol are recyclable. Dispose of the packaging in a suitable waste collection container to recycle it. Before disposal of appliance.

1. Disconnect the main plug from the main socket.
2. Cut off the main cable and discard it.

	Correct disposal of this product
	<p>This symbol on the product, or in its packaging, indicates that this product may not be treated as household waste. Instead, it should be taken to the appropriate waste collection point for the recycling of electrical and electronic equipment. By ensuring this product is disposed of correctly, you will help prevent potential negative consequences for the environment and human health, which could otherwise be caused by the inappropriate waste handling of this product. For more detailed information about the recycling of this product, please contact your local council, your household waste disposal service, or the store where you purchased the product.</p>

We, Teknix, undertake that if within 24 months of the date of purchase this appliance or any part thereof is proven to be defective by reason of mechanical or electrical failure we will at our discretion repair or replace the same free of any charge for labour, materials or carriage on condition that:

- The appliance has been correctly installed in accordance to manufacturers' instructions.
- The appliance has been used for normal domestic purposes only and in accordance with our operating instructions.
- The appliance has not been repaired, taken apart or tampered with by any person not authorized by us.
- All repair work under this guarantee must be undertaken by the organization or its authorized agents.
- Proof of purchase is available on request.
- If we decide your appliance cannot be repaired, or is uneconomical to repair, we'll replace it with the same model. If that model is no longer available, we'll discuss an alternative settlement with you.
- We reserve the right to charge for the expense of a service call if no fault has been found with the appliance after we have inspected it.
- All claims must be arranged via a call to us on 01759 487893. Without pre-authorisation it may result in the cost of claim not being reimbursed.

This guarantee is in addition to your statutory and other legal right.

Exclusions

- Damage resulting from transportation, improper use, or neglect.
- Appliance outside the United Kingdom.
- Consumer replaceable items including, but not limited to, batteries, light bulbs and other consumables.
- Cosmetic damage and/or non-functional parts, which do not affect the normal use of the product including for example cabinet, scratches and rust.
- Any loss suffered as a result of not being able to use the appliance or any loss other than the repair or the replacement cost of the product.
- Accidental or physical damage.



TEKNIX

Your Teknix appliance comes with a 2 year parts and labour guarantee – to give you the reassurance you need when purchasing a new appliance.

Before requesting a service visit, please check the troubleshooting guide in the operating instruction booklet.

For service and repairs please contact the Teknix technical helpline on: Freephone 0800 772 0614

Telephone lines are open 09.00 – 17.30 Monday to Friday

Please have your model number and serial number available before making the call.

What is covered

- All repairs necessary as a result of faulty materials, defective components or manufacturing defect.
- The cost of all functional replacement parts.
- The labour cost of a Teknix approved repairer to carry out the repair.

What is not covered

- Transit or delivery damage.
- Accidental damage.
- Misuse, or abuse.
- Cabinet or appearance parts, including knobs.
- Accessory items, including ice trays, scrapers and cutlery baskets.
- Repairs required as a result of unauthorised repairs or incorrect installation that fails to meet the requirements contained in the operating instruction booklet.

Note

- The product is guaranteed for domestic household use only.
- Gas appliances must be installed by a Gas Safe registered Gas Installer.
- We may ask you to provide proof of purchase so we can validate the period of your Teknis guarantee.