



Your kitchen, your way.

Get the Kitchen Design Freedom you need. This duo combines an induction hob with a powerful integrated extractor, so you don't have to worry about a hob and separate hood. Now you can plan your kitchen layout with the freedom your creativity needs.

Product Benefits & Features



Get the Kitchen Design Freedom to plan your kitchen your way

This combination of an induction hob with a powerful integrated extractor gives you the Kitchen Design Freedom you need. Now you have more space for your versatile kitchen layout ideas.

- Child safety lock function
- Automatic safety switch off
- Indicator for grease filter saturation
- Indicator for carbon filter saturation



Combine cooking zones for bigger pots and pans. Double Bridge

Got a large pot for a casserole? Using a plancha? Well with Double Bridge, you can combine two cooking zones on both sides of the hob to give uniform heat distribution to your large pots and pans.



After cooking, quietly clear the kitchen air with Breeze

After the cooking is done you want to be able to enjoy your meal and discreetly freshen the kitchen air. The Breeze function quietly clears the kitchen air, without disturbing the ambiance for you and your guest.

The Grease Filter is easy to remove and clean.

The Grease Filter helps to remove grease from your kitchen air. A Grease Filter is used when the appliance is installed in duct-out mode. The Grease Filter is easy to remove and can be washed in the dishwasher.

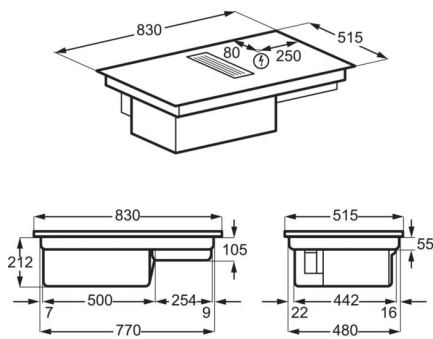
Automated extraction. With Hob2Hood

Hob2Hood technology allows for automated extraction during cooking. If you turn the temperature up or down on the hob, the extractor's fan will adjust itself accordingly. Meaning all your focus goes into your food.

Product Specification

Frame type	Bevelled 4 Sides No
Hobs Dimensions	830x515
Aperture dimensions HxWxD in mm	212x780x490
Air Outlet	220
Filter Type	Aluminium mesh
Grease filters	2
Radius cutting	5
Energy class	A+
Fluid dynamic efficiency class	A
Grease filter efficiency class	B
Motor Type	Brushless
Cord Length (m)	0
EAN number	7332543838929
Recirculation min, m3/h	250
Recirculation intensive, m3/h	585
Recirculation max, m3/h	465
Recirc sound power min, dB(A)	54
Recirc sound power max, dB(A)	70
ProdPartCode	E - Generic Partner All

PSGBHH220DE0000D



PSGBHH220DE0000F

