



Your kitchen, your way.

Get the Kitchen Design Freedom you need. This duo combines an induction hob with a powerful integrated extractor, so you don't have to worry about a hob and separate hood. Now you can plan your kitchen layout with the freedom your creativity needs.

Product Benefits & Features



Get the Kitchen Design Freedom to plan your kitchen your way

This combination of an induction hob with a powerful integrated extractor gives you the Kitchen Design Freedom you need. Now you have more space for your versatile kitchen layout ideas.

- Child safety lock function
- Automatic safety switch off
- Indicator for grease filter saturation
- Indicator for carbon filter saturation



Combine cooking zones for bigger pots and pans. Double Bridge

Got a large pot for a casserole? Using a plancha? Well with Double Bridge, you can combine two cooking zones on both sides of the hob to give uniform heat distribution to your large pots and pans.



After cooking, quietly clear the kitchen air with Breeze

After the cooking is done you want to be able to enjoy your meal and discreetly freshen the kitchen air. The Breeze function quietly clears the kitchen air, without disturbing the ambiance for you and your guest.

Easy to clean. Easy to remove. 2-in-1 Filter

The 2-in-1 Filter combines both a charcoal and grease filter that removes odours and grease. If the appliance is installed in recirculation mode, then a 2-in-1 filter is needed. The Filter is easy to remove and can be washed in the dishwasher.

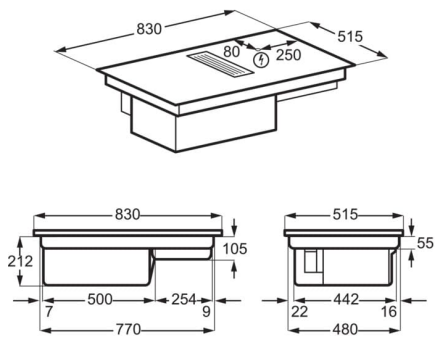
Automated extraction. With Hob2Hood

Hob2Hood technology allows for automated extraction during cooking. If you turn the temperature up or down on the hob, the extractor's fan will adjust itself accordingly. Meaning all your focus goes into your food.

Product Specification

Nordic_Series_and_Themes	8000	Cord Length	0
Frame type	Bevelled 4 Sides No	Required Fuse	2x16
Hobs Dimensions	830x515	Total electricity loading, W	7350
Aperture dimensions HxWxD in mm	210x780x490	Voltage (V)	220-240V/400V2N
Build in type	On top	PNC	949 597 960
Air Outlet	220	EAN number	7332543838950
Filter Type	Combined Aluminium mesh		
Grease filters	2		
Charcoal filter	Included		
Radius cutting	5		
Led Colour	Red		
Energy class	A+		
Fluid dynamic efficiency class	A		
Grease filter efficiency class	B		
Left Front - Power, W / Diam., mm	2300/3200W/210mm		
Left Rear - Power, W / Diam., mm	2300/3200W/210mm		
Right Front - Power, W / Diam., mm	2300/3200W/210mm		
Right Rear - Power, W / Diam., mm	2300/3200W/210mm		
Motor Type	Brushless		
ExtractorSpeeds	3+Intensive		
Recirculation min, m3/h	250		
Recirculation intensive, m3/h	585		
Recirculation max, m3/h	465		
Recirc sound power min, dB(A)	54		
Recirc sound power max, dB(A)	70		

PSGBHH220DE0000D



PSGBHH220DE0000F

