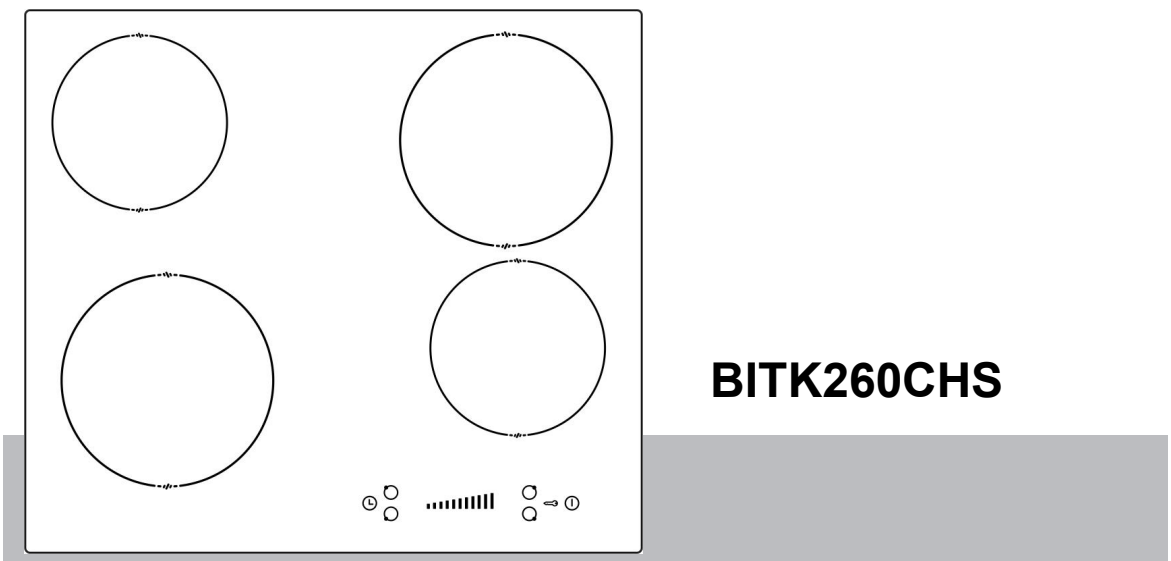




# TEKNIX

## Ceramic Hob/User Manual



**BITK260CHS**

# Content

1.....	Safety instructions
2.....	Installation
3.....	Description of the Ceramic hob surface layout
4.....	Using the ceramic hob
5.....	Hob guidelines
6.....	Maintenance and cleaning
7.....	Environmental note

## **Safety instructions**

This User Instruction Manual contains important information, including safety & installation points, which will enable you to get the most out of your appliance. Please keep it in a safe place so that it is easily available for future reference; for you or any person not familiar with the operation of the appliance.



### **Caution!**

- Do not use the ceramic hob until you have read this instruction manual. The ceramic hob is intended for household use only.
  - The appliance becomes hot during operation. Take care not to touch the hot surface.
  - Always keep children away from the ceramic hob.
  - While in operation direct contact with the ceramic hob may cause burns!
- Ensure that small items of household equipment, including connection leads, do not touch the hob as the insulation material of this equipment is usually not resistant to high temperatures.
  - Do not leave the ceramic hob unattended when frying. Oils and fats may catch fire due to overheating or boiling over.
  - Do not switch on the hob until a pan has been placed on it.

- Do not put pans weighing over 25kg on the hob.
- Do not use the ceramic hob in the event of a technical fault. Any faults must be fixed by an appropriately qualified and authorized person.
- In the event of any incident caused by a technical fault, disconnect the power and report the fault to the service centre to be repaired.
- The rules and provisions contained in this instruction manual should be strictly observed. Do not allow anybody who is not familiar with the contents of this instruction manual to operate the ceramic hob.
- The ceramic hob should not be cleaned using steam cleaning equipment.
- **IMPORTANT:** The adjacent furniture or housing and all materials

used in the installation must be able to withstand a minimum temperature of 95°C above the ambient temperature of the room it is located in, whilst in use.

- Any damage caused by the appliance being installed in contravention of this temperature limit, or by placing adjacent cabinet materials closer than 4mm to the appliance, will be the liability of the owner.
- This appliance complies with all current European safety legislation. We do wish to emphasize that this compliance does not remove the fact that the appliance surfaces will become hot during use and retain heat after operation.

### **Child Safety**

- We strongly recommend that babies and young children are

prevented from being near to the appliance and not allowed to touch the appliance at any time.

- If it is necessary for younger family members to be in the kitchen, please ensure that they are kept under close supervision at all times.

## **General Safety**

- This appliance is not intended for use by persons (including children) with reduced physical, sensory or mental capabilities, or lack of experience and knowledge, unless they have been given supervision or instruction concerning use of the appliance by a person responsible for their safety.
- Children should be supervised to ensure that they do not play with the appliance.

- **NEVER** try to extinguish a fire with water, but switch off the appliance and then cover flame e.g. with a lid or a fire blanket.
- **WARNING:** Danger of fire: do not store items on the cooking surfaces.
- Means for disconnection must be incorporated in the fixed wiring in accordance with the wiring rules.
- Do not allow electrical fittings or cables to come into contact with areas on the appliance that get hot.
- Do not use the appliance to heat the room it is located in or to dry clothing.
- Do not install the appliance next to curtains or soft furnishings.
- If the supply cord is damaged, it must be replaced by the manufacturer, its

service agent or similarly qualified persons in order to avoid a hazard.

- The appliance is not intended to be operated by means of an external timer or separate remote-control system.
- Power cord can't accessible after installation.
- This product can be worked but not through outside timer and remote control.
- **Warning:** If the surface is cracked, switch off the appliance to avoid the possibility of electric shock, for hob surfaces of glass ceramic or similar material which protect live parts.
- **Warning:** a steam cleaner is not be used.
- **CAUTION:** The cooking process has to be supervised. A short term cooking process

has to be supervised continuously.

- **WARNING:** Unattended cooking on a hob with fat or oil can be dangerous and may result in a fire.
- This appliance should be connected to a circuit which incorporates an isolating switch which can accessible by the user after installation providing full disconnection from the power supply. The disconnection may be achieved by incorporating a switch in the fixed wiring in accordance with the wiring rules.
- **Warning:** Before obtaining access to terminals, all supply circuits must be disconnected.
- **WARNING:** Use only hob guards designed by the manufacturer of the cooking appliance

or indicated by the manufacturer of the appliance in the instructions for use as suitable or hob guards incorporated in the appliance. The use of inappropriate guards can cause accidents.

- **WARNING:** The appliance and its

accessible parts become hot during use.

- Care should be taken to avoid touching heating elements.
- Regarding the instructions for how to Installation, thanks to refer to the section “Installation”.

- Children less than 8 years of age shall be kept away unless continuously supervised.
- This appliance can be used by children aged from 8 years and above and persons with reduced physical, sensory or mental capabilities or lack of experience and knowledge if they have been given supervision or instruction concerning use of the appliance in a safe way and understand the hazards involved. Children shall not play with the appliance. Cleaning and user maintenance shall not be made by children without supervision.
- Ensure that the power cord does not touch the bottom shell after hob installing

# Installation

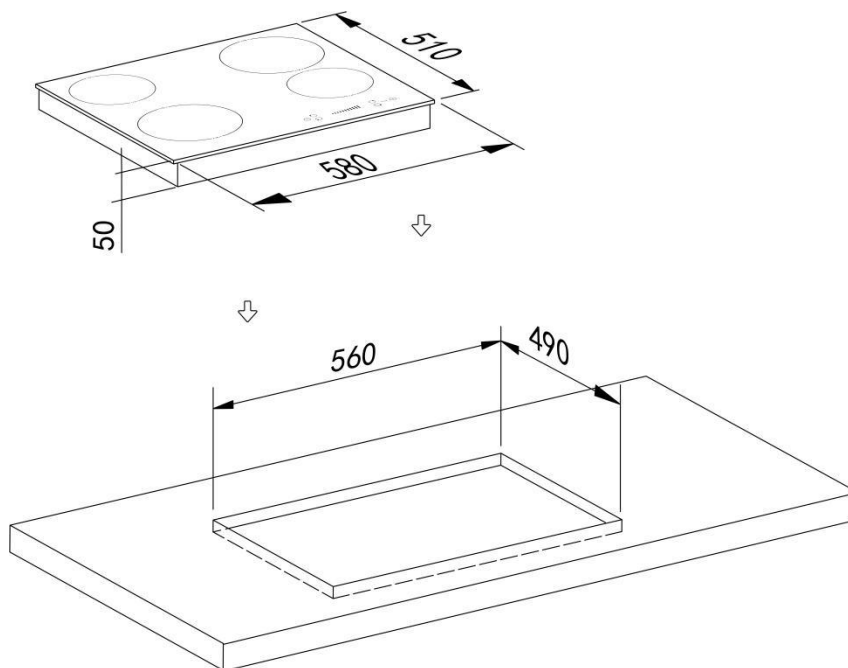
## Electrical connection

Before connecting the appliance, make sure that the supply voltage marked on the Rating Plate corresponds with your mains supply voltage.

**WARNING: THIS APPLIANCE MUST BE EARTHED.**

- If you have to change the oven power cord, the earthing (yellow/green) conductor must always be 10 mm longer than the line conductors.
- Care must be taken to ensure that the temperature of the mains supply cable does not exceed 50°C.
- If the mains supply cable is damaged, then it must be replaced by an appropriate replacement which can be obtained from Spares Department.

## Assembly of ceramic hob :

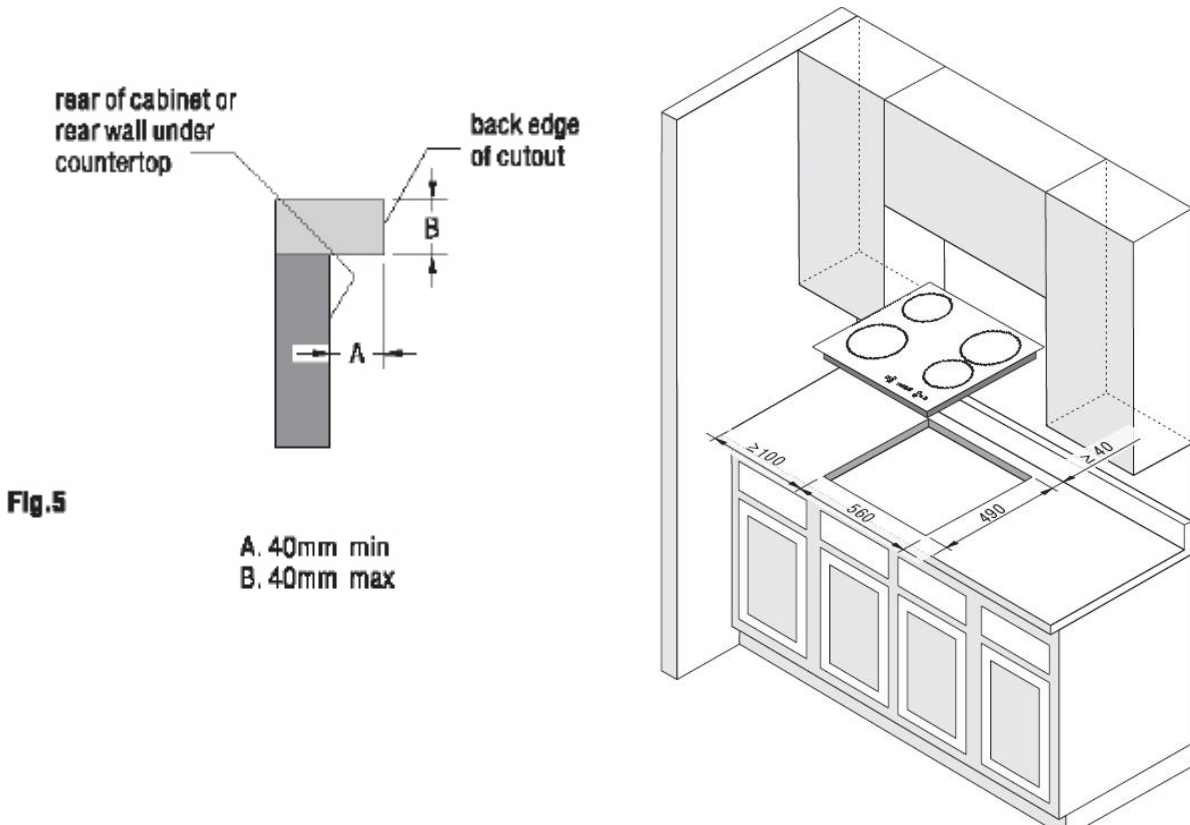


## Preparing the unit for a built-in appliance

### **WARNING**

- ✚ The kitchen units that are in direct contact with the appliances must be heat-proof(min. 95°).
- ✚ The appliance can be installed on a work surface with a thickness of between 30 and 40 mm and near to walls which are higher than the work surface,maintaining a minimum distance of 100 mm.

- ✚ Carry out all cutting of the unit and work surface then carefully remove shavings or sawdust before inserting the appliances.
- ✚ To ensure a correct ventilation of the hob please comply with the dimensions shows in figures .
- ✚ Always refer to the manufacturer for specific instructions,
- ✚ Make sure the surface is level and square and that no part interferes with the space required for installation.
- ✚ Prepare the cut as indicated(see installation dimensions).



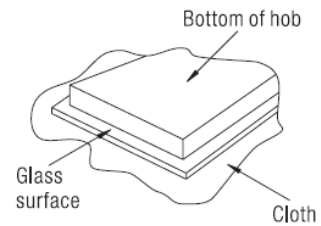
## Installing the hob

	<b>WARNING</b>
	Risk of cutting.
	Be careful of cutting edges.
	End parts in foamed plastic - be careful.
	During transportation these could cause slight injury or cuts.

Remove the material and envelope of documents from the packaging.  
Before proceeding with installation read the work instructions carefully.

### Step.1

Put a towel or cloth on the work surface. Place the hob face down on the protected surface.



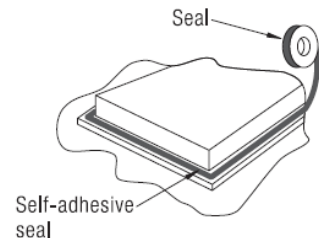
### Step.2

Apply the strip seal, supplied with the hob, which is for sealing it onto the work surface.

Do not use silicone. Apply the seal to the edge of the bottom of the hob, leaving about 3mm from the edge of the glass.

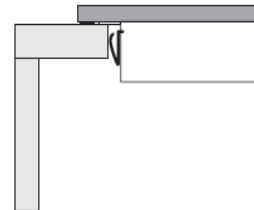
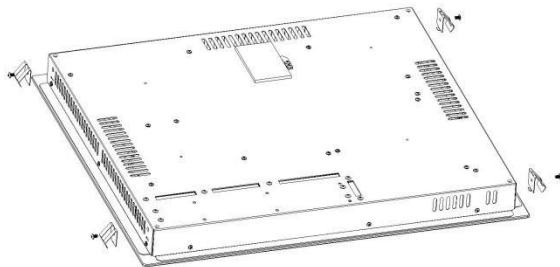
Apply the seal all around the circumference.

Cut any excess and bring the two ends of the seal together so they match.

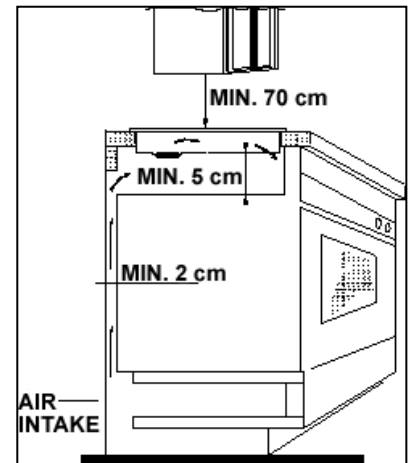


### Step.3

Fix the brackets (5 pcs) on the front side and rear side by screw. Put the hob in the cut-out cabinet, and make it centered. Ensure that the front edge of the hob is parallel to the side edge of the work surface.



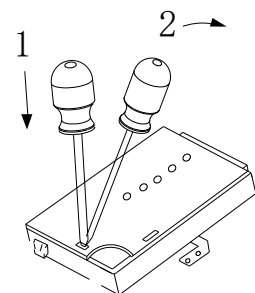
- **IMPORTANT:** You must observe the ventilation requirements shown in the drawing opposite.
- **IMPORTANT:** There are ventilation holes around the outside of the hob. YOU MUST ensure that these holes are not blocked by the work top, when you put the hob into position (see drawing opposite).
- **IMPORTANT:** Do not use a silicon sealant to seal the appliance against the aperture. This will make it difficult to remove the hob from the aperture in future, particularly if it needs to be serviced.



- Carefully turn the hob back over and then gently lower it into the aperture hole that you have cut out.
- Add a wooden board to the bottom of the stove.

### Fitting guidelines


The ceramic hob is manufactured to work with two-phase alternating current (400V2N~50Hz). The voltage rating of the ceramic hob heating elements is 230V. Adapting the ceramic hob to operate with one-phase current is possible by appropriate bridging in the connection box according to the



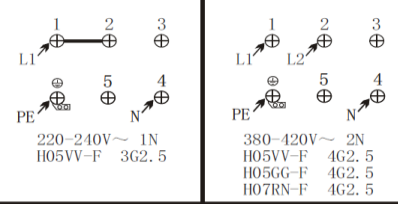
connection diagram below. The connection diagram is also found on the cover of the connection box. Remember that the connection wire should match the connection type and the power rating of the ceramic hob.

The connection cable must be secured in a strain-relief clamp.

### Warning!

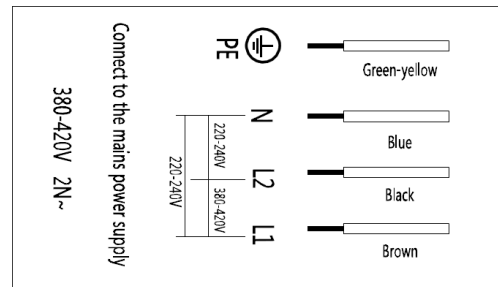
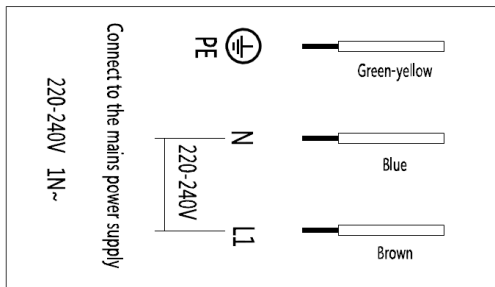
Remember to connect the safety circuit to the connection box terminal marked with . The electricity supply for the ceramic hob must have a safety switch which enables the power to be cut off in case of emergency. The distance between the working contacts of the safety switch must be at least 3mm.

Before connecting the ceramic hob to the power supply it is important to read the information on the data plate and the connection diagram.

wires for each domino hob with 4T models			
model	Adaptive voltage range and wires		The wiring diagram
	220-240 1N~ 50-60Hz	380-420 2N~ 50- 60Hz	KADO XT/ TB102-3
4T	H05VV-F 3G2.5	H05VV-F 4G2.5 H05GG-F 4G2.5 H07RN-F 4G2.5	<div style="border: 1px solid black; padding: 5px; text-align: center;"> <b>CONNECTION DIAGRAM</b> </div>  <p>220-240V~ 1N H05VV-F 3G2.5</p> <p>380-420V~ 2N H05VV-F 4G2.5 H05GG-F 4G2.5 H07RN-F 4G2.5</p>

- The cable connections must be in accordance with the diagram located on the bottom of the hob.
- The cable type must be connected to the corresponding power supply terminal box.
- You should use a good quality screwdriver to carefully, fully tighten ALL of the terminal screws.
- If when the hob is first switched on, only two of the zones work, you should recheck that the terminal screws are all fully tightened. This should be done before contacting the Customer Care Department.
- **IMPORTANT:** The appliance must NOT be connected to the mains supply by means of a 13A plug and socket.
- This appliance must be wired into a 30 A double pole switched fused spur outlet, having 3 mm contact separation and placed in an easily accessible position adjacent to the appliance. It should not be located above the appliance and no more than 1.25m away from it.

- The cable can be looped if necessary, but make sure that is not kinked or trapped when the hob is in position. Care must be taken to avoid the cable being in contact with hot parts of the appliance.

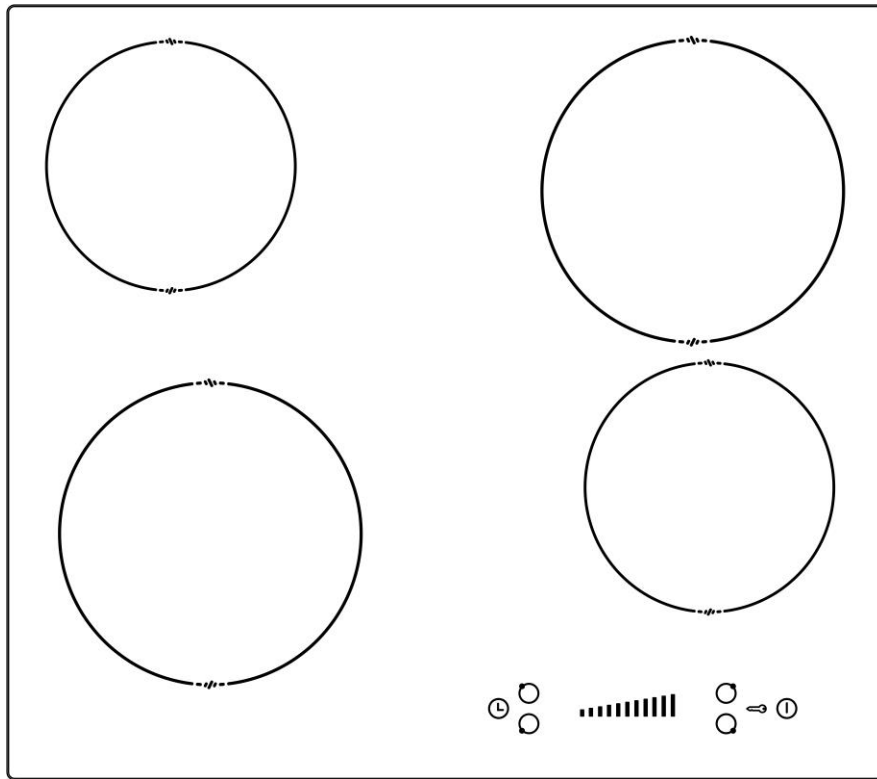


## Replacing the mains supply cable

- ✧ If the mains supply cable is damaged, then it must be replaced by an appropriate replacement.
- ✧ The mains supply cable should be replaced in accordance with the following instructions:
  - Switch the appliance off at the control switch.
  - Open the terminal block on the underside of the hob.
  - Unscrew the terminal screws fixing the cable.
  - The “green-yellow” earth wire must be connected to the terminal marked  $\perp$ . It must be about 10 mm longer than the live and neutral wires.
  - The “blue” neutral wire must be connected to the terminal marked with letter (N) - the live wire(L1) must be connected to the terminal marked with letter (L1) (220-240V 1N ~).
  - The “blue” neutral wire must be connected to the terminal marked with letter (N) - the live wire L1 must be connected to the terminal marked with letter (L1),. the live wire L2 must be connected to the terminal marked with letter (L2) (380-420V 2N ~).

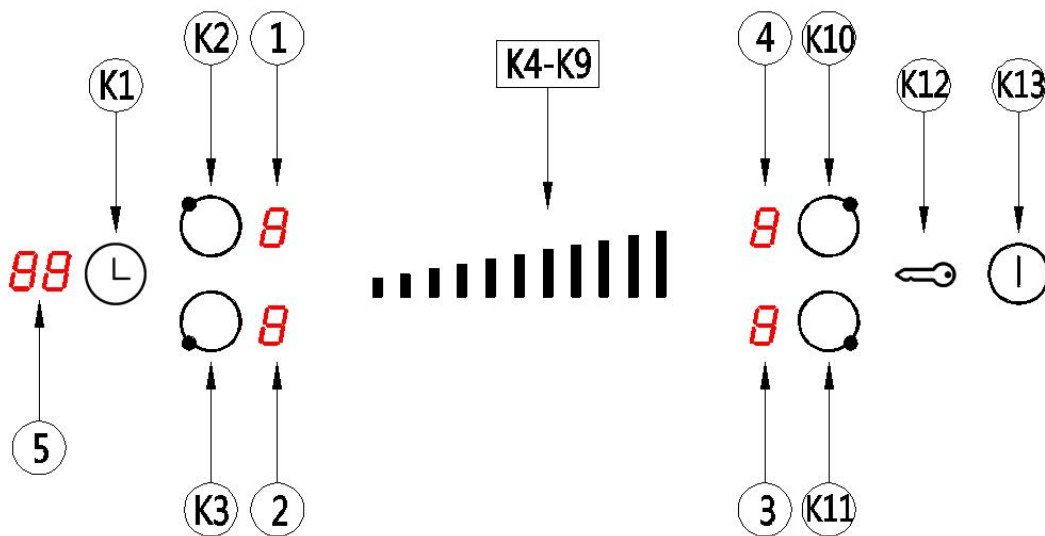
# Description of the Ceramic hob surface layout

## 4 zone ceramic hob schematic diagram



### Control panel layout(D series)

1. Button and Display mode
- 1.1 Control Interface 1



## 1.2 Button icon instruction

Button	Function	Button	Function
K1	Timer button (set timer for each burner)	K10	Burner 3 selection button
K2	Burner 1 selection button	K11	Burner 4 selection button
K3	Burner 2 selection button	K12	Child lock button (press and hold to lock/unlock control panel)
K4-K9	Sliding adjustment button( adjust power level and timing duration)	K13	Power button (press and hold to turn on/off)

## 1.3 Display section

Icon	Function
1	Burner 1 power level digital display (shows power level, high-temperature warning, etc.)
2	Burner 2 power level digital display (shows power level, high-temperature warning, etc.)
3	Burner 3 power level digital display (shows power level, high-temperature warning, etc.)
4	Burner 4 power level digital display (shows power level, high-temperature warning, etc.)
5	Timer digital display (shows countdown, child lock indicator, etc.)

# Operation instruction

## 1.Power On

- ✓ Upon power-up, the buzzer beeps once to indicate startup, all digital display segments light up for 2 seconds (For multi-zone ceramic hob, the decimal point "●" lights up on the power level indication digital display , while single-zone ceramic hob keeps the decimal point "●" off), then the hob enters standby mode.
- ✓ Standby mode requirements:Except for displaying the high-temperature warning symbol "H", all digital displays including the power level indication digital display must be turned off. In this state, only the power button "ⓘ" can be operated by long press, while all other buttons remain non-responsive.

## 2.Standby Mode

- ✓ In shutdown state, long press the power button "ⓘ" for approximately 3 seconds until the buzzer beeps once, the hob will enter standby mode.
- ✓ In standby mode, all burner's power level indication digital displays show "—" (the corresponding burner's power level indication digital display will show high-

temperature warning "H" when residual heat exists), the timer display also shows " — —", and no heating occurs at this time.

- ✓ If no burner heating operation is initiated within 10 seconds in standby mode, the buzzer will beep once and the hob will automatically enter shutdown state.

### 3.Heating Control

- ✓ In standby mode, press the burner selection button to select the desired burner, then adjust its power level using the sliding control button.
- ✓ When the burner is heating, press and hold the power button "Ⓛ" for about 3 seconds to turn off. All burners will stop heating, and previously heated burners will display the high-temperature warning symbol "H".
- ✓ In standby mode, any burner with residual heat will display the high-temperature warning symbol "H".
- ✓ To turn off a single burner: first press its selection button to select it, then slide the control bar to the left to adjust its power level to 0. This will turn off that burner without affecting others. Any burner turned off after heating will display the high-temperature warning symbol "H".
- ✓ When multiple burners are heating simultaneously, the total power equals the sum of each burner's power. Each burner heats independently at its set power level without interference.

#### **Note:**

1. Only one burner button is active at any time, indicated by a single flashing decimal point "•" on the display.
2. Setting a burner's power level to 0 by sliding the control bar will automatically turn off the corresponding heating burner.

### 4.Power Level Adjustment

- ✓ In standby mode, press the corresponding burner selection button to choose the desired cooking zone. The power level indication digital display will show the current power level with a flashing decimal point "•". Adjust to the appropriate power level using the sliding control button.
- ✓ Each touch of the sliding bar triggers a single beep (no beeping during sliding).
- ✓ When adjusting the power level via the sliding control button, sliding from left to right increases the level from 0 to 9, while sliding from right to left decreases the level from 9 to 0.
- ✓ After power level adjustment, the decimal point "•" on the digital display will stop flashing within 10 seconds of inactivity, with the display remaining steadily lit.
- ✓ Setting any burner to power level 0 will automatically stop its power output.
- ✓ If any burner has been previously heated, the hob will automatically power off after 1 minute of inactivity when all burners are set to level 0.

### 5.Timer Setting

After selecting the desired burner power level, press the timer button "Ⓛ" to enter timer mode. The timer display shows "00" with the right decimal point "•" lit, enabling timer setting for the selected burner. (All following operations require timer mode activation.)

- ✓ To cancel the timer, adjust the time to "00".

- ✓ The timer duration can be adjusted using the sliding control button. Sliding from left to right increases the time from 00 to 90 minutes, while sliding from right to left decreases the time from 90 to 00 minutes.
- ✓ When the timer countdown reaches zero, the buzzer sounds continuously for 2 minutes. Press any button to silence the alert.



 **Note :**

1. To modify an existing timer, reselect the corresponding burner by pressing the timer button (the burner's power level display decimal point "●" will illuminate), then input new time via the sliding control.
2. Timer setting is unavailable before selecting a burner's power level. The timer button remains inactive in this state.
3. During initial timer setup for a burner, pressing its selection button before confirmation cancels that burner's timer.
4. During timer setting for single or multiple burners in operation, the decimal point "●" on the corresponding burner's power level digital display remains steadily lit. When multiple burners (two or more) have active timers, the timer display shows the shortest remaining time among them, with the corresponding burner's power level display decimal point "●" staying lit until the countdown ends.

## 6. Power Off

In standby/heating mode, long press power button "ⓘ" for approximately 3 seconds (buzzer beeps) to turn off hob. If burners have residual heat, their power level indication digital displays will show high-temperature warning "H".


## 7. Child Lock

- ✓ The control panel can be locked by pressing and holding the child lock button "" for approximately 3 seconds while the hob is in standby or heating mode. The child lock indicator will illuminate when activated and will turn off when the hob is powered down.
- ✓ In child lock mode, the timer display flashes "L □" once per second. When a timer is set, it alternates between displaying the remaining time and "L □". Without an active timer, it alternates between displaying "L □" and "— —".
- ✓ To deactivate child lock, press and hold the child lock button "" for approximately 3 seconds.
- ✓ While child lock is active, only the power button "ⓘ" (for turning off the hob) and the child lock button (for unlocking) remain functional. All other buttons are disabled.

## 8. Multiple Timers

The timer function allows independent time settings for each burner on the hob.

- **Setting Timer for Single Burner**

To set a timer for a specific burner, first press the timer button "". The selected burner's power level indication digital display will show an illuminated decimal point "●", while the timer display's right decimal point "●" will also light up, indicating

successful timer association. The timer duration can then be adjusted using the sliding adjustment button.

- **Setting Timers for Multiple Burners**

The timer setting procedure is identical for each additional burner.

Operation Features:

Press any burner selection button to view its corresponding timer value on the two-digit display.

When multiple burners have active timers, press the timer button "⌚" to cycle through and display each burner's remaining time.

When no burner is selected, the display automatically shows the shortest remaining timer value, with the corresponding burner's decimal point "•" remaining illuminated.

## 9. Default Timer

- ✓ All burners feature default timer functionality. The preset timer durations corresponding to each power level are as follows:

Power Level	1	2	3	4	5	6	7	8	9
Default Time (hours)	6	6	5	5	4	1.5			

- ✓ When the timer ends, the burner stops heating automatically, and the system enters standby mode.

## 10. High Temperature Warning

- ✓ After manually shutting down the hob by long-pressing the power button "⏻" for approximately 3 seconds, all burners stop heating while the cooking surface remains hot. The power level indication digital display for each deactivated burner shows the high-temperature warning symbol "H" to indicate residual heat.
- ✓ This warning symbol "H" will remain displayed for 35 minutes after shutdown for any burner that was in use.

## 11. Protection Functions

- ✓ Over-temperature Protection: When burner temperature exceeds limits, the mechanical temperature limiter activates protection by stopping heating. Heating resumes automatically after temperature drops to safe range.
- ✓ Residual Heat Protection: When the hob ceases heating, the power level digital display of active burners shows the high-temperature warning symbol "H", indicating excessive cooktop surface temperature. Do not touch the hot surface.
- ✓ Power Disconnection Protection: For models with power plugs, ensures voltage between L/N terminals drops to safe levels within 1 second after disconnection.
- ✓ Overflow Protection: When water covers single or multiple control panel buttons for over 10 seconds during operation, active burners will stop working and the hob will shut down completely.

Power consumption standby mode:N/A

Power consumption off mode:<0.5W

Time after which the equipment reaches automatically standby mode:N/A

Time after which the equipment reaches automatically off mode:<20minutes

## How to use the hot plate

Put the pot in center of the heating zone, Turn the knob clockwise and anticlockwise to turn on the hob.

High temperature indication lamp:

When the glass plate is too hot, the high temperature indication lamp will light up, don't touch the glass plate until the indication lamp goes out.

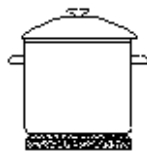
Shut down:after using,please turn the knob to "OFF",the hob will stop heating.



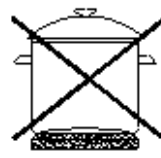
wrong



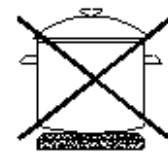
wrong



right



wrong



wrong

## Caution!

- Ensure the heating plate is clean-a soiled zone does not transfer all of the heat.
- Protect the plate against corrosion.
- Switch off the plate against corrosion.
- Do not leave pans with prepared dishes based on fats and oils unattended on the switched-on plate; hot fat can spontaneously catch fire.

## Hob guidelines

- ✧ The first few times the hob top is used, it may give off an acrid, burning smell. This smell will disappear completely with repeated use.
- ✧ The worktop is fitted with cooking areas of different diameter and power.
- ✧ The positions where the heat will radiate from are clearly marked on the hob top. The saucepans must be positioned exactly on these zones for efficient heating to occur. Pans should have the same diameter as the cooking zone that they are being used on.
- ✧ You should not use saucepans with rough bottoms, as this can scratch the ceramic surface.
- ✧ Before use, make sure that the bottoms of the saucepans are clean and dry.
- ✧ When cold, the bottom of the pans should be slightly concave, as they expand when hot and lie flat on the surface of the hob. This will allow the heat to transfer more easily.
- ✧ The best thickness for the bottom of the pans is 2 – 3 mm of enamelled steel and 4 – 6 mm for stainless steel with sandwich type bottoms.

- ✧ If these rules are not followed, then there will be a great loss of heat and energy. Heat not absorbed by the saucepan, will spread to the hob, frame and surrounding cabinets.
- ✧ Preferably cover pans with a lid to permit cooking at a lower heat.
- ✧ Always cook vegetables and potatoes, etc. in as little water to reduce cooking times.
- ✧ Food or liquid that has high sugar content may damage the hob top if it comes into contact with the ceramic hob surface. Any spillages should be wiped up immediately, however this may not prevent the hob surface from becoming damaged.
- ✚ **IMPORTANT:** The ceramic hob surface is tough; however it is not unbreakable and can be damaged. Especially if pointed or hard objects are allowed to fall on it with some force.

## Maintenance and cleaning



Cleaning operations must only be carried out when the hob is cool.

The appliance should be disconnected from your mains supply before commencing any cleaning process.

### Cleaning the ceramic hob top



Any residues that are left on the hob top surface from cleaning agents will damage it. You should remove any residues with warm water mixed with a little washing up liquid.



Abrasive cleaners or sharp objects will damage the hob surface; you should clean it using warm water mixed with a little washing up liquid.



You may find it easier to clean some deposits whilst the hob surface is still warm. However you should take care not to burn yourself if cleaning the hob surface when it is still warm.

### After each use

- ◆ Wipe the appliance over with a damp cloth.
- ◆ Dry the appliance by rubbing the surface with a clean cloth.

### Cleaning table

Type of deposit	Remove immediately?	Remove when the appliance has cooled down?	What should I use to remove the deposit?
Sugar or food/liquid containing sugar	Yes	No	Ceramic hob scraper
Tin foil or plastic	Yes	No	Ceramic hob scraper
Fat splashes	No	Yes	Ceramic hob cleaner

Metallic discolouration	No	Yes	Ceramic hob cleaner
Water splashes or water rings	No	Yes	Ceramic hob cleaner

### Important!

The inside of the hob should only be washed with warm water and a small amount of washing-up liquid.

### Caution!

Ensure the heating plate is clean-a soiled zone does not transfer all of the heat.

Protect the hob against corrosion.

Switch off the hob against corrosion.

Do not leave pans with prepared dishes based on fats and oils unattended on the switched-on plate; hot fat can spontaneously catch fire.



**IMPORTANT:** If your appliance appears not to be operating correctly, Please contact with dealer.

**DO NOT ATTEMPT TO REPAIR THE APPLIANCE YOURSELF.**

Please note that if an engineer is asked to attend whilst the product is under guarantee and finds that the problem is not the result of an appliance fault, then you may be liable for the cost of the call out charge.


The appliance must be accessible for the engineer to perform any necessary repair. If your appliance is installed in such a way that an engineer is concerned that damage will be caused to the appliance or your kitchen, then he will not complete a repair.

## Environmental note

***Note: Before discarding an old appliance, switch off and disconnect it from the power supply. Cut off and render any plug useless. Cut the cable off directly behind the appliance to prevent misuse. This should be undertaken by a competent person.***

This appliance is marked according to the European directive 2002/96/EC on Waste electrical and Electronic Equipment (WEEE). By ensuring this product is disposed of correctly, you will help prevent potential negative consequences for the environment and human health, which could otherwise be caused by inappropriate waste handling of this product.



The symbol  on the product or on the documents accompanying the product indicates that this appliance may not be treated as household waste. Instead it shall

be handed over to the applicable collection point for the recycling of electrical and electronic equipment.

Disposal must be carried out in accordance with local environmental regulations for waste disposal. For more detailed information about treatment, recovery and recycling of this product, please contact your local city office or local waste management office.

The packaging materials that we use are environmentally friendly and can be recycled. Please discard all packaging material with due regard for the environment.



## Specification

Built-in hob

Rated voltage: 220-240V ~ or 380-420V 2N ~

rated frequency : 50-60Hz

rated power : 6000W



# TEKNIX

**Your Teknix appliance comes with a 2 year parts and labour guarantee – to give you the reassurance you need when purchasing a new appliance.**

Before requesting a service visit, please check the troubleshooting guide in the operating instruction booklet.

**For service and repairs please contact the Teknix technical helpline on: Freephone 0800 772 0614**

**Telephone lines are open 09.00 – 17.30 Monday to Friday**

**Please have your model number and serial number available before making the call.**

#### What is covered

- All repairs necessary as a result of faulty materials, defective components or manufacturing defect.
- The cost of all functional replacement parts.
- The labour cost of a Teknix approved repairer to carry out the repair.

#### What is not covered

- Transit or delivery damage.
- Accidental damage.
- Misuse, or abuse.
- Cabinet or appearance parts, including knobs.
- Accessory items, including ice trays, scrapers and cutlery baskets.
- Repairs required as a result of unauthorised repairs or incorrect installation that fails to meet the requirements contained in the operating instruction booklet.

#### Note

- The product is guaranteed for domestic household use only.
- Gas appliances must be installed by a Gas Safe registered Gas Installer.
- We may ask you to provide proof of purchase so we can validate the period of your Teknis guarantee.