



Built-in Microwave Oven

INSTRUCTION MANUAL

BIM20DBL/ BIM20DSS

Please read these instructions carefully before using your microwave oven and keep them in a safe place.

If you follow these instructions, your microwave will provide you with many years of good service.

PLEASE KEEP THESE INSTRUCTIONS SAFELY

PRECAUTIONS TO AVOID POSSIBLE EXPOSURE TO EXCESSIVE MICROWAVE ENERGY

- (a) Do not attempt to operate this oven with the door open, as this can result in harmful exposure to microwave energy. It is important not to break or tamper with the safety locks.
- (b) Do not place any object between the door and the door seal, or allow soil or cleaner residue to accumulate on sealing surfaces.
- (c) **WARNING:** If the door or door seals are damaged, the appliance must not be used until it has been repaired by a qualified engineer.

ADDENDUM

If the apparatus is not maintained in a good state of cleanliness, its surface could become degraded. This may affect the lifespan of the appliance and lead to a risk of danger to the user.

Specifications

Model:	BIM20DBL/ BIM20DSS
Rated Voltage:	240V~/50Hz
Rated Input Power(Microwave):	1300W
Rated Output Power(Microwave):	800W
Oven Capacity:	20L
Turntable Diameter:	Ø270mm
External Dimensions:	595x336x384mm

The appliance is not intended to be operated by means of an external timer or separate remote-control system.

This microwave is intended to be used in domestic and similar situations, such as:

- staff kitchen areas in shops, offices and other working environments;
- self-catering environments;
- small hotels, motels and other residential type environments;
- bed and breakfast type environments.

IMPORTANT SAFETY INSTRUCTIONS

WARNING

To reduce the risk of fire, electric shock, injury to persons or exposure to excessive microwave oven energy when using your appliance, follow basic precautions, including the following:

1. **Warning:** Liquids and other foods must not be heated in sealed containers since they are liable to explode.
2. **Warning:** It is hazardous for anyone other than a qualified person to carry out any service or repair operation that involves the removal of a cover giving protection against exposure to microwave energy.
3. **Warning:** Children should only use the microwave under supervision, or when adequate instructions have been given to enable the child to use the appliance in a safe way and understand the hazards of improper use.
4. **Warning:** When the appliance is operated in combination mode, children should use the oven under adult supervision only, due to the temperatures generated.
(only for models with grill)
5. Only use utensils suitable for use in microwave ovens.
6. The oven should be cleaned regularly and any food deposits should be removed.
7. Read and follow the specific: "PRECAUTIONS TO AVOID POSSIBLE EXPOSURE TO EXCESSIVE MICROWAVE ENERGY".
8. When heating food in plastic or paper containers, keep an eye on the oven due to the possibility of ignition.
9. If smoke is observed, switch off or unplug the appliance and keep the door closed in order to stifle any flames.
10. Do not overcook food.
11. Do not use the oven cavity for storage purposes. Do not store items, such as bread, biscuits etc. inside the oven.
12. Remove wire twist-ties and metal handles from paper or plastic containers/bags before placing them in the oven.
13. Install or locate this oven only in accordance with the installation instructions provided.
14. Eggs in the shell and whole hard-boiled eggs should not be heated in microwave ovens since they may explode, even after microwave heating has ended.
15. Use this appliance only for its intended purpose as described in manual. Do not use corrosive chemicals in this appliance. This oven is specifically designed to heat. It is not designed for industrial or laboratory use.
16. If the power cable is damaged, it must be replaced by the manufacturer, its service agent or similarly qualified person in order to avoid a hazard.
17. Do not store or use this appliance outdoors.

18. Do not use this oven near water, in a wet basement or near a swimming pool.
19. The temperature of accessible surfaces may be high when the appliance is operating. Keep cable away from heated surface and do not cover any vents on the oven.
20. Do not let the cable hang over the edge of a table or counter.
21. Failure to maintain the oven in a clean condition could lead to deterioration of the surface that could adversely affect the life of the appliance and possibly result in a hazardous situation.
22. The contents of feeding bottles and baby food jars must be stirred or shaken and the temperature checked before consumption, in order to avoid burns.
23. Microwave heating of beverages can result in delayed eruptive boiling, therefore take care when handling the container.
24. The appliance is not intended for use by persons (including children) with reduced physical, sensory or mental capabilities or lack of experience and knowledge, unless they have been given supervision or instruction concerning use of the appliance by a person responsible for their safety.
25. Children should be supervised to ensure that they do not play with the appliance. This appliance can be used by children aged 8 years and above and by persons with reduced physical, sensory or mental capabilities or lack of experience and knowledge if they have been given supervision or instruction concerning use of the appliance in a safe way and understand the hazards involved. Children must not play with the appliance. Cleaning and user maintenance must not be undertaken by children without supervision.
26. The microwave oven must not be placed in a cabinet.
27. The microwave is intended for heating food and beverages. The drying of clothing or heating of warming pads, slippers, sponges, damp cloths and similar may lead to risk of injury, ignition or fire. Never immerse the appliance in water or other liquid when cleaning. The appliance must not be cleaned with a steam cleaner.
28. Metallic containers for food and beverages must not be used for microwave cooking.
29. Care should be taken not to displace the turntable when removing containers from the appliance.
30. The appliance must not be installed behind a decorative door, to avoid overheating.
31. Important safety instructions - please read carefully and keep for future reference.

To Reduce the Risk of Injury to Persons

Earth Installation

DANGER

Electric Shock Hazard Touching some of the internal components can cause serious personal injury or death. Do not disassemble this appliance.

WARNING

Electric

Shock Hazard Improper use of the earth wire can result in electric shock. Do not plug into a socket until the appliance is properly installed and earthed.

CLEANING

Be sure to disconnect the oven from the power supply before cleaning.

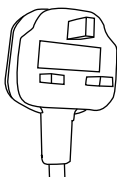
1. Clean the inside of the oven after using with a slightly damp cloth.
2. Clean the accessories in the usual way in soapy water.
3. The door frame, seal and neighbouring parts must be cleaned carefully with a damp cloth when they are dirty.

This appliance must be earthed. In the event of an electrical short circuit, earthing reduces the risk of electric shock by providing an escape wire for the electric current. This appliance is equipped with an earthed cable and plug. The plug must be plugged into a socket which is properly installed and earthed by a qualified electrician.

Consult a qualified electrician or serviceman if the earthing instructions are not completely understood or if doubt exists as to whether the appliance is properly earthed. If it is necessary to use an extension cable, use an earthed 3-wire extension cable only.

1. A short power cable is provided to reduce the risk of becoming entangled in or tripping over a longer cable.
2. If a long cable or extension cable is used:
 - 1) The marked electrical rating of the cable or extension cable should be the same as the electrical rating of the appliance.
 - 2) The extension cable must be earthed.
- 3) A long cable should be placed so that it will not drape over the surface, where it might be pulled on by children or tripped over unintentionally.

Plug



UTENSILS

CAUTION

Personal Injury Hazard

It is hazardous for anyone other than a competent person to carry out any service or repair operation which involves the removal of a cover giving protection against exposure to microwave energy.

See the instructions on "Materials you can use in microwave oven or to be avoided in microwave oven." There may be certain non-metallic utensils which are not safe to use in microwaves. If in doubt, you can test the utensil in question following the procedure below.

Utensil Test:

1. Fill a microwave-safe container with 1 cup of cold water (250ml) along with the utensil in question.
2. Cook on maximum power for 1 minute.
3. Carefully feel the utensil. If the empty utensil is warm, do not use it for microwave cooking.

Materials You Can Use In Microwave Oven

Type

Aluminum Foil	Do not use in a microwave.
Browning Dish	Follow manufacturer's instructions. The bottom of browning dish must be at least 3/16 inch (5mm) above the turntable. Incorrect usage may cause the turntable to break.
Dinnerware	Microwave-safe only. Follow manufacturer's instructions. Do not use cracked or chipped dishes.
Glass Jars	Always remove lid. Use only to heat food until just warm. Do not use if possible and do not leave oven unattended.
Glassware	Heat-resistant oven glassware only. Make sure there is no metallic trim. Do not use cracked or chipped dishes.
Oven Cooking Bags	Follow manufacturer's instructions. Do not close with metal tie. Make slits to allow steam to escape.
Paper Plates and Cups	Use for short-term cooking/warming only. Do not leave oven unattended while cooking.
Paper Towels	Use to cover food for reheating and absorbing fat. Use with supervision for a short-term cooking only.
Parchment Paper	Use as a cover to prevent splattering or a wrap for steaming.
Plastic	Microwave-safe only. Follow the manufacturer's instructions. Should be labeled "Microwave Safe". Some plastic containers soften, as the food inside gets hot. "Boiling bags" and tightly closed plastic bags should be slit, pierced or vented as directed by package.
Cling Film	Microwave-safe only. Use to cover food during cooking to retain moisture. Do not allow film to touch food.
Thermometers	Microwave-safe only (meat thermometers).
Wax Paper	Use as a cover to prevent splattering and retain moisture.

Materials to be Avoided In Microwave Oven

Type

Aluminum Tray	May cause arcing. Transfer food into microwave-safe dish.
Food Carton with metal handle	May cause arcing. Transfer food into microwave-safe dish.
Metal or Metal-trimmed Utensils	Metal shields the food from microwave energy. Metal trim may cause arcing.
Metal Twist Ties	May cause arcing and could cause a fire in the oven.
Paper Bags	May cause a fire in the oven.
Plastic Foam	Plastic foam may melt or contaminate the liquid inside when exposed to high temperature.
Wood	Wood will dry out when used in the microwave oven and may split or crack.

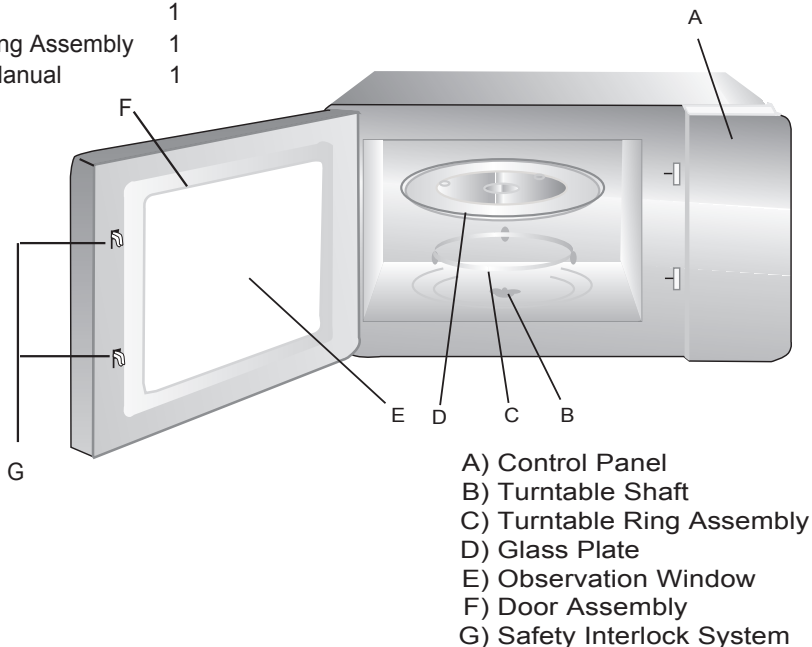
SETTING UP YOUR OVEN

Names of Oven Parts and Accessories

Remove the oven and all materials from the carton and oven cavity.

Your oven comes with the following accessories:

Glass Plate	1
Turntable Ring Assembly	1
Instruction Manual	1



Shut off oven power if the door is opened during operation.

Turntable Installation

Hub (underside)

Glass Plate



Turntable Shaft

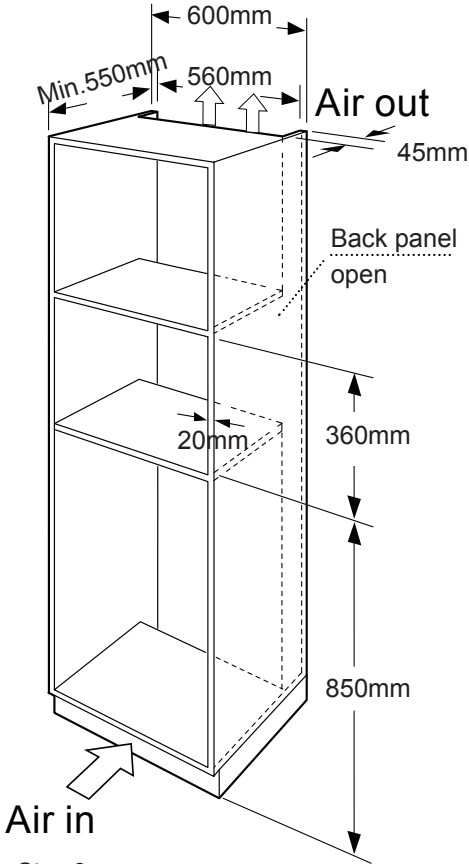
- a. Never place the glass plate upside down. The glass tray should never be restricted.
- b. Both glass plate and turntable ring assembly must always be used during cooking.
- c. All food and containers of food must always be placed on the glass tray for cooking.
- d. If glass plate or turntable ring assembly cracks or breaks, contact your nearest authorised service provided.

Turntable Ring Assembly

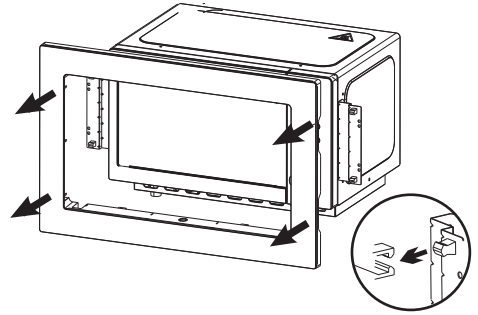
Installation

1. Remove any protective film found on the microwave oven cabinet surface. Do not remove the light white Mica cover which is attached to the oven cavity to protect the magnetron.
2. This oven is intended for built-in use only. It is not intended for counter-top use or for use inside a cupboard.
3. The appliance can be installed in a 60cm wide wall-mounted cupboard(at least 55cm deep).
4. The appliance is fitted with a plug and must only be connected to a properly installed earthed socket.
5. The mains voltage must correspond to the voltage specified on the rating plate.
6. The socket must be installed and connecting cable must only be replaced by a qualified electrician. If the plug is no longer accessible following installation, an all-pole disconnecting device must be present on the installation side with a contact gap of at least 3mm.
7. Adapters, multi-way strips and extension leads must not be used. Overloading can result in a fire risk.

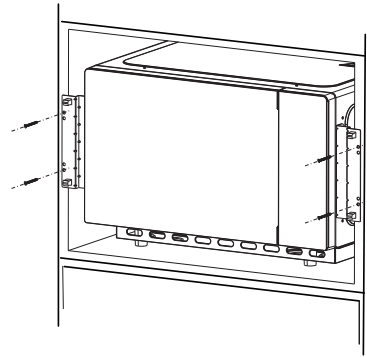
Installation Drawing



Step 1

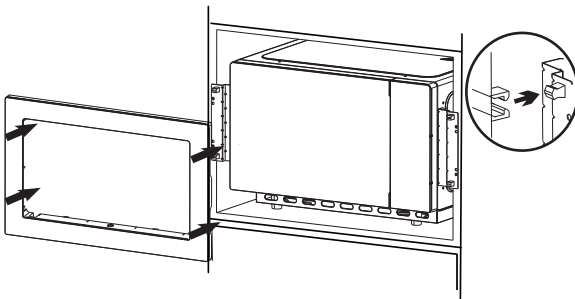


Step 2

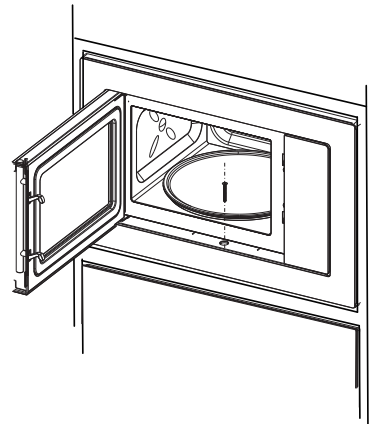


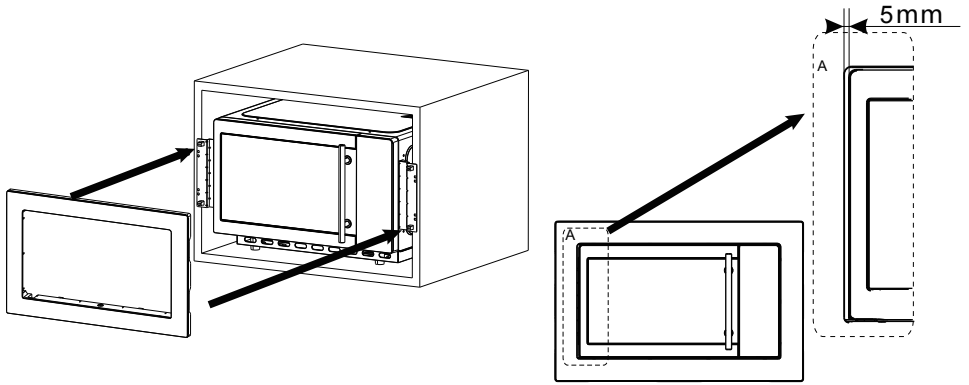
Air in

Step 3



Step 4





Installation Warning:


When installing the product, please maintain the width of Gap A at more than 5mm, to ensure easy and unrestricted opening of the door.

Operation Instructions

1. Clock Setting

When the microwave oven is switched on, the LED will display "0:00". The buzzer will ring once.

1) Press " **Clock** " ; the hour figures will flash.

2) Turn "  " to adjust the hour figures; the input time should be within 0-23 (24hr clock).

3) Press " **Clock** "; the minute figures will flash.


4) Turn "  "; to adjust the minute figures, the input time should be within 0-59.

5) Press " **Clock** " to finish clock setting. ":" will flash and the time will be illuminated.

Note: 1) If the clock is not set, it will not function when the appliance is switched on.


2) During the process of setting the clock, if you press " **STOP/Cancel** " , the oven will go back to the previous status automatically.

2. Microwave Cooking

Press " **Microwave** " the LED will display "P100". Press Microwave several times to choose the power you want and "P100", "P80", "P50", "P30" or "P10" will display for each time period. Then turn knob again "  " to set cooking time from 0:05 to 95:00. Press " **START/+30sec.** " to start cooking.

1) Press " **Microwave** " once; the screen will display "P100".

2) Press " **Microwave** " once again to choose 80% microwave power (P80).

3) Turn "  " to adjust the cooking time until the oven displays "20:00".

4) Press " **START/+30sec.** " to start cooking .


Note: the steps for adjusting the time of the coding switch are as follows:

0---1 min	:	5 seconds
1---5 min	:	10 seconds
5---10 min	:	30 seconds
10---30 min	:	1 minute
30---95 min	:	5 minutes


"Microwave" Pad Instructions

Order	Display	Microwave Power
1	P100	100%
2	P80	80%
3	P50	50%
4	P30	30%
5	P10	10%


3. Quick Start

- 1) Press "**START/+30sec.**" to start cooking with 100% power; each additional press will increase cooking time by 30 seconds up to a maximum of 95 minutes.
- 2) In microwave, cooking or defrost mode, each press of "**START/+30sec.**" will increase 30 seconds of cooking time.
- 3) From start mode, turn " " anti-clockwise to set cooking time with 100% microwave power, then press "**START/+30sec.**" to start cooking.

4. Defrost

- 1) Press "**Defrost**" once, and the oven will display "dEF1".
- 2) Turn " " to select the weight of food from 100 to 2000 g.
- 3) Press "**START/+30sec.**" to start defrosting.

5. Timed Defrost

- 1) Press "**Defrost**" twice and the oven will display "dEF2".
- 2) Turn " " to select the defrost time.
- 3) Press "**START/+30sec.**" to start defrosting.

6. Menu


1) Press " **Menu** " to choose the menu, and "A-1" to "A-8" will display. This means cake, pizza, soup, meat, pasta, vegetables, potato and reheat function.

2) Turn "  " to choose the default weight as shown on menu chart.

3) Press " **START/+30sec.** " to start cooking.

Eg: If you want to use "Menu" to cook vegetables for 400g.

1) Press " **Menu** " six (6) times till "A-6" shows on the display.

2) Turn "  " to select the weight of vegetables till "400" shows on the display.

3) Press " **START/+30sec.** " to start cooking.

The Menu Chart:

Menu	Weight	Display
A-1 Cake	200 g	200 g
	475 g	475 g
A-2 Pizza	200 g	200 g
	400 g	400 g
A-3 Soup	200 g	200 g
	400 g	400 g
	600 g	600 g
A-4 Meat	200 g	200 g
	400 g	400 g
	600 g	600 g
A-5 Pasta	50 g	50 g
	100 g	100 g
	150 g	150 g
A-6 Vegetables	200 g	200 g
	400 g	400 g
	600 g	600 g
A-7 Potato	250 g	250 g
	500 g	500 g
	750 g	750 g
A-8 Reheat	200 g	200 g
	400 g	400 g
	600 g	600 g

7. Timer

- 1) Press " **Timer** " once and the LED will display " 0:00 ".

- 2) Set timer. (Consult the instruction for setting the clock).

- 3) Press " **START/+30sec.** " to start the timer.

- 4) The buzzer will ring 5 times when the time is counting down.

8. Checking Current Functions

- 1) In cooking state, press " **Clock** ", the current time will be displayed 3 seconds.

- 2) When microwaving, press " **Microwave** " ;the current power will be displayed for 3 seconds.

9. Child Lock Function

Lock: In waiting state, press " **STOP/Cancel** " for 2 seconds; there will be a long beep indicating the appliance is in child-lock mode and the locked indicator will display if the time has been set, otherwise, the LED will display " **---** ".

Lock Removal: In locked state, press " **STOP/Cancel** " for 3 seconds; there will be a long "beep" denoting that the lock is released.

Troubleshooting

Normal	
Microwave oven interfering with TV reception	Radio and TV reception may be disturbed when the microwave oven operates. It is similar to the interference of small electrical appliances, like food processors or electric fans. It is normal.
Dim oven light	In low power microwave cooking, oven light may become dim. It is normal.
Steam accumulating on door, hot air out of vents	In cooking, steam may come out of food. Most will escape from vents. But some may accumulate on surfaces like an oven door. This is normal.
Oven started accidentally with no food inside	It is forbidden to run the unit without any food inside. It is very dangerous.

Problem	Possible Cause	Remedy
Oven cannot be started	(1) Power cable not plugged in correctly.	Unplug. Then plug again after 10 seconds.
	(2) Fuse blowing or circuit breaker not working properly.	Replace fuse or reset circuit breaker
	(3) Trouble with outlet.	Test outlet with other electrical appliances.
Oven does not heat.	(4) Door not closed.	Close door properly.
Glass turntable makes noise when microwave oven operates	(5) Dirty roller rest and oven bottom.	Refer to "Maintenance of Microwave" to clean dirty parts.



According to the Waste of Electrical and Electronic Equipment (WEEE) directive, WEEE should be separately collected and treated. Therefore, if at any time in future you need to dispose of this product, please do NOT dispose of it together with household waste. Please send this product to WEEE collecting points where available. Contact your local authority for details.