

**Series 8, Built-in warming drawer, 60
x 29 cm, Black
BID7101B1B**



- **Push-pull mechanism:** easy opening and closing thanks to a clever spring mechanism.

Technical Data

Built-in / Free-standing: Built-in
Maximum number of espresso cups: 192
Dimensions: 290x594x518 mm
Dimensions of the packed product (HxWxD):400x650x700 mm
Required niche size for installation (HxWxD):290 x 560 x 550 mm
EAN code:4242005323029
Fuse protection:10 A
Voltage: 220-240 V
Frequency: 50; 60 Hz
Plug type:GB plug

Optional accessories

HEZ32WA00 Wireless food thermometer



Series 8, Built-in warming drawer, 60 x 29 cm, Black BID7101B1B

Design

Programmes/functions

- Touch Control illuminated With steel trim
- User-friendly electronics: extremely
- easy and comfortable operation
- Easy to clean toughened glass heating plate
- Cavity volume: 54 l
- Loading up to 25 kg
- Can accommodate up to:
 - -40plates
 - -192 espresso cups
- Temperature control in 4 levels: ca. 30°C - 80°C (glass surface temperature)
- Push-pull opening mechanism

Technical information

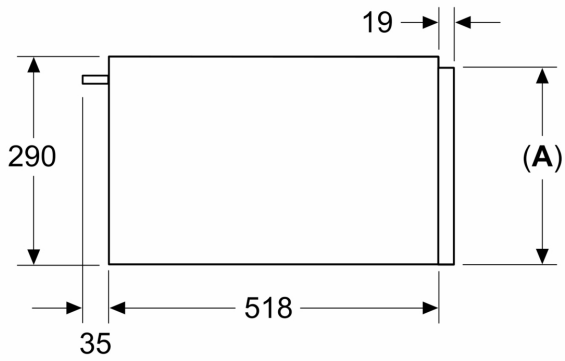
- Total connected load electric: 0.82 KW
- Nominal voltage: 220 - 240 V

Performance/technical information

- Appliance dimension (hxwxh): 290 mm x 594 mm x 518 mm
- Niche dimension (hxwxh): 290 mm x 560 mm - 568 mm x 550 mm
- In case of installation under the worktop, installation accessory spare part no. 9001698838 is needed.
- "For-details-on-installation-and-ventilation requirements – please refer to the installation manual prior to fitting."

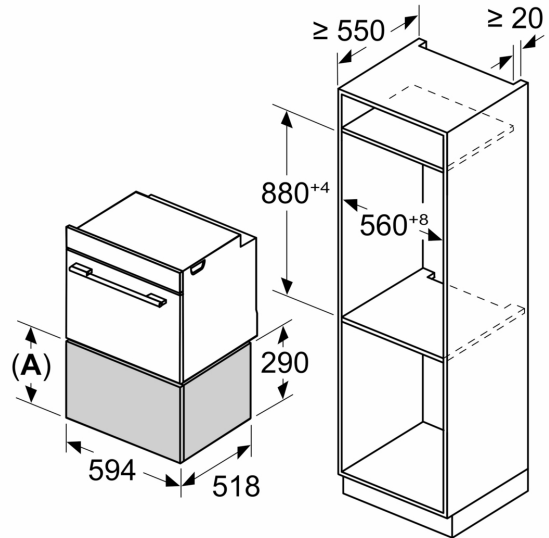
**Series 8, Built-in warming drawer, 60
x 29 cm, Black
BID7101B1B**

Measurements in mm



A: 287.5 mm
Ovens with appliance height of 595 mm can be installed above the warming drawer without an intermediate floor

Measurements in mm



A: 287.5 mm