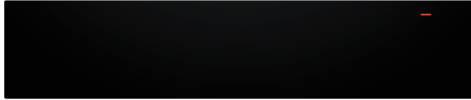


**Series 8, Built-in warming drawer, 60  
x 14 cm, Black  
BIC7101B1B**



- **Push-pull mechanism:** easy opening and closing thanks to a clever spring mechanism.

---

**Technical Data**

Built-in / Free-standing: ..... Built-in  
Maximum number of espresso cups: ..... 64  
Dimensions: ..... 140x594x518 mm  
Dimensions of the packed product (HxWxD): ..... 250x660x700 mm  
Required niche size for installation (HxWxD): ..... 140 x 560 x 550 mm  
EAN code: ..... 4242005322978  
Fuse protection: ..... 10 A  
Voltage: ..... 220-240 V  
Frequency: ..... 50; 60 Hz  
Plug type: ..... GB plug

---



## **Series 8, Built-in warming drawer, 60 x 14 cm, Black BIC7101B1B**

---

### **Design**

#### **Programmes/functions**

- Touch Control illuminated With steel trim
- User-friendly electronics: extremely
- easy and comfortable operation
- Easy to clean toughened glass heating plate
- Cavity volume: 20 l
- Loading up to 25 kg
- Can accommodate up to:
  - -12plates
  - -64 espresso cups
- Temperature control in 4 levels: ca. 30°C - 80°C (glass surface temperature)
- Push-pull opening mechanism

#### **Technical information**

- Total connected load electric: 0.82 KW
- Nominal voltage: 220 - 240 V

#### **Performance/technical information**

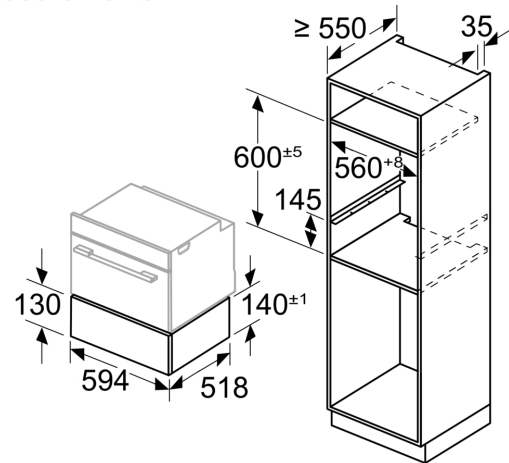
- Appliance dimension (hxwxh): 140 mm x 594 mm x 518 mm
- Niche dimension (hxwxh): 140 mm x 560 mm - 568 mm x 550 mm
- In case of installation under the worktop, installation accessory spare part no. 9001698838 is needed.
- "For-details-on-installation-and-ventilation requirements – please refer to the installation manual prior to fitting."

**Series 8, Built-in warming drawer, 60  
x 14 cm, Black  
BIC7101B1B**

Measurements in mm



Measurements in mm



For the combined installation of some electrical appliances, support frames are required