

**Series 2, Stainless steel
BFL523MS3B**



A great partner for the kitchen, the built-in compact microwave defrosts, heats and cooks helping you prepare food in the kitchen.

- **AutoPilot 7:** every dish is a perfect success thanks to 7 pre-set automatic programmes.
- **Red LED display:** easy-to-see display thanks to the red LED.
- **Cleaning Assistance:** less cleaning effort thanks to the new cleaning option, which can be especially used for cleaning of light soiling.
- **LED lighting:** perfect illumination of foods with minimum energy consumption.
- **QuickStart:** heat up your food with just a touch of one button.

Technical Data

Type of micro-wave oven: MW only
 Type of control:Electronic
 Dimensions: 382x495x335 mm
 Cavity dimensions: 180 x 280 x 300 mm
 Length electrical supply cord: 130 cm
 Net weight: 14.0 kg
 Gross weight: 16.6 kg
 EAN code:4242005291267
 Max. microwave power level¹: 800 W
 Connection rating: 1270 W
 Fuse protection:10 A
 Voltage: 230-240 V
 Frequency: 50 Hz
 Plug type: GB plug



¹ Intelligent inverter technology: maximum output power will be regulated to 600 W when used in longer operation

Series 2, Stainless steel BFL523MS3B

A great partner for the kitchen, the built-in compact microwave defrosts, heats and cooks helping you prepare food in the kitchen.

Design

- LED Display, red display
- Electronic clock timer
- Rotary dial, Membrane keys, Start button With steel trim
- User-friendly electronics: extremely
- easy and comfortable operation
- Cavity inner surface: lacquered grey
- Cavity volume: 20 l
- LED light
- Side opening door, left hinged

Features

- 27 cm Glass turntable
- AutoPilot, 7
- Open door button
- Favourite button for individual settings (1 setting)
- Control panel lock
- Automatic safety switch off
- Door contact switch
- Integral cooling fan

Cleaning

- hydrolyse program

Programmes/functions

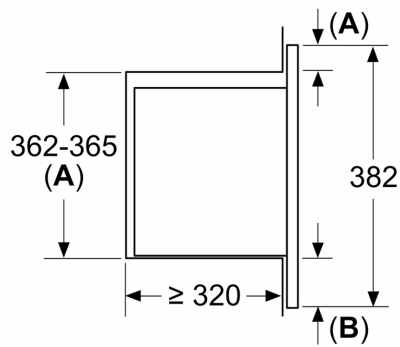
- Maximum microwave power level: 800 W and the following options
180 W, 360 W, 600 W, 800 W, 90 W
- 4 defrost and 3 cooking programmes in microwave function
- Quick Start Button: one tap to maximum microwave power for 30 seconds

Performance/technical information

- Total connected load electric: 1.27 KW
- Nominal voltage: 230 - 240 V
- 130 cm Cable length
- For installation into a 50 cm wide wall unit (min. 30 cm deep)
- Appliance dimension (hxwxd): 382 mm x 495 mm x 335 mm
- Niche dimension (hxwxd): 362 mm - 365 mm x 460 mm - 468 mm x 320 mm
- "For-details-on-installation-and-ventilation requirements – please refer to the installation manual prior to fitting."

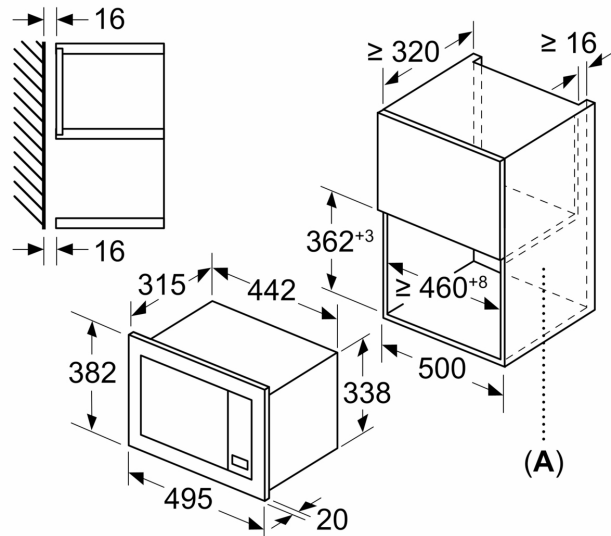
Series 2, Stainless steel
BFL523MS3B

measurements in mm
 Installation of a 20 l microwave in a
 wall cabinet



- A:** Overhang at top:
 Recess 362: 6 mm
 Recess 365: 3 mm
- B:** Overhang at bottom: 14 mm

measurements in mm



A: Back panel open